



# PH DESIGN

Shower Channel | Floor Drain | Technical & Decorative Profile







PH DESIGN

## Who Are We?

As a leading manufacturer of stainless steel building products in Turkey, PH DESIGN has proudly maintained its leadership in the industry for 17 years.

Being a family-owned business that has pioneered many innovations in Turkey and worldwide, we incorporate our family values and accumulated expertise into every product we manufacture.

Our primary production focus includes stainless steel drainage systems (shower channels and floor drains), profile systems (corner, transition, and end profiles), and stainless steel mosaics, all of which are manufactured with V2A first-class quality certification. Our production line consists of over 20,000 different products.

With our advanced stainless steel mold technology, we have the flexibility to provide custom manufacturing solutions for various projects beyond our standard production.

We export to over 40 countries across Europe, the Middle East, South Asia, Africa, North America, and the Asia-Pacific region. To enhance our logistics efficiency, we have established logistics centers in the U.S. and Europe, enabling us to offer faster and more effective services while optimizing our supply chain management.

The PH DESIGN manufacturing facility is dedicated to the latest technology in stainless steel mold production. We ensure the highest product quality and durability by utilizing state-of-the-art production equipment and mold technologies. By integrating the latest industry technologies and innovative CNC machinery into our production processes, we consistently maintain the highest quality standards.

Additionally, we employ the SAP (Systems, Applications, and Products in Data Processing) system to optimize and track our business operations. This system integrates all business functions such as production, inventory management, finance, and customer relations, allowing us to provide faster deliveries and improved operational efficiency.

Our primary target market includes distributors, dealer networks, design firms, and construction & project implementation companies in both local and global markets. We also collaborate with world-renowned manufacturing brands through private label production to influence the industry.

With its extensive engineering expertise and innovative R&D team, PH DESIGN continuously enhances drainage and profile systems, setting new standards in design, functionality, durability, and aesthetics.

## PH DESIGN: Bringing Quality to Standards

All our shower channels and floor drains are certified for compliance with international quality standards.



---

PH DİZAYN YAPI ÜRÜNLERİ SAN. ve TİC. LTD. ŞTİ.  
Ferhatpaşa Mahallesi 19. Sokak No:5-11 Ataşehir, İstanbul - TURKEY  
T: +90 216 388 78 80 | F: +90 216 388 78 14 |  
info@phdizayn.com | www.phdizayn.com



PH DESIGN



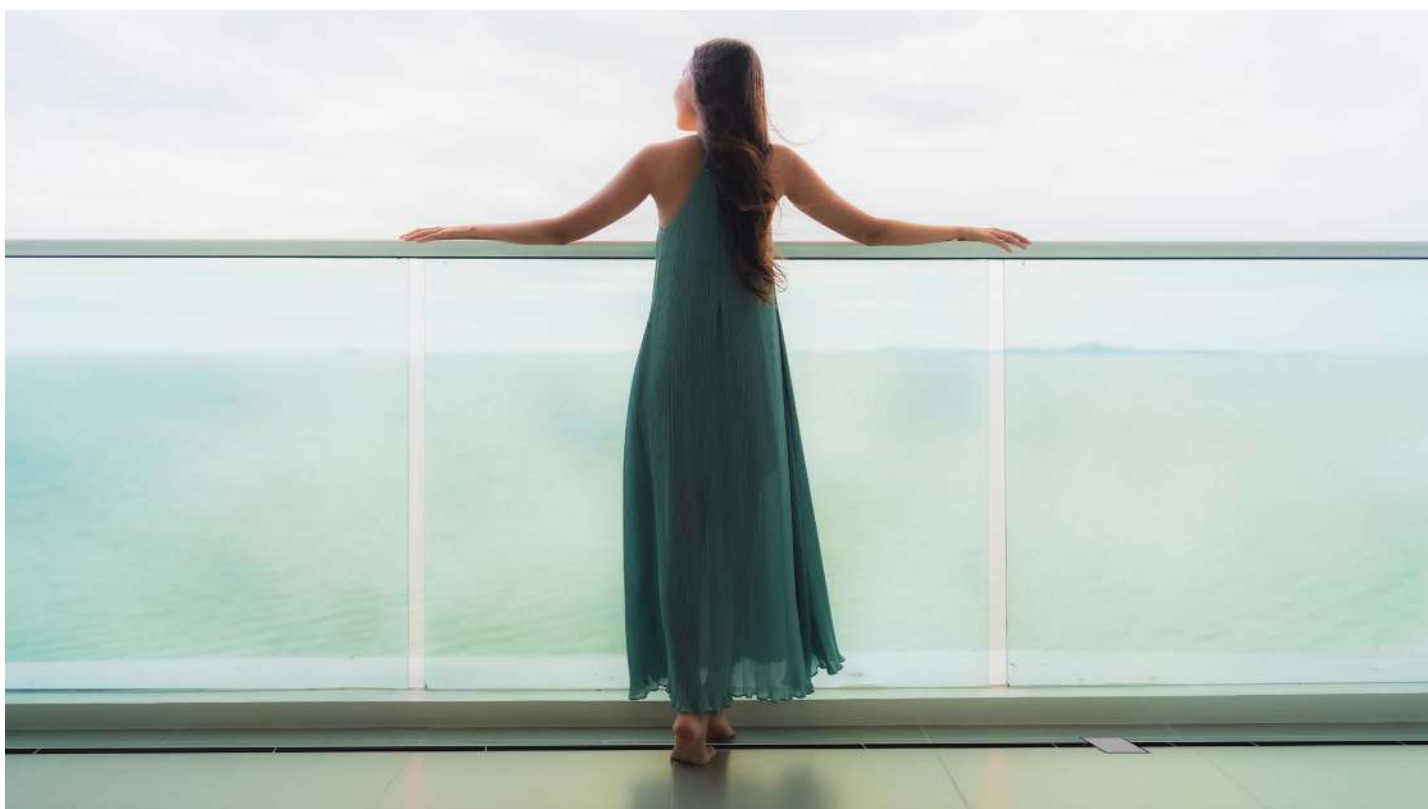
PH DESIGN

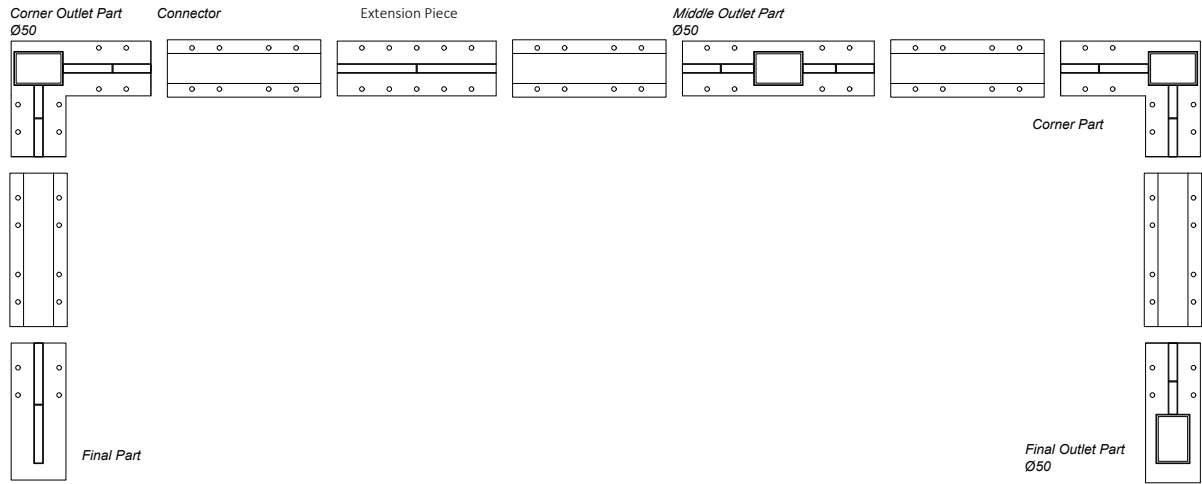
SHOWER CHANNEL



## COMPACT, SUSTAINABLE, AND COMPATIBLE SOLUTIONS

B&T Linear Water Channels adapt to all your projects through the combination of different components. Despite its ultra-slim appearance, it stands out with its high water drainage capacity.





You decide the shape for your project. With cut-to-size extension pieces, it is compatible with every area.

Final Outlet Part (Ø50) Code : BT 00F 01 23 S50 103 €	Middle Outlet Part (Ø50) Code : BT 00M 01 23 S50 105 €	Corner Outlet Part (Ø50) Code : BT 00C 01 23 S50 131 €
Connector Part Code : BT 2263.02 49 €	Final Part Code : BT 00F 01 23 000 53 €	Corner Part Code : BT 00C 01 23 00 81 €

Cut-to-Size Extension Piece	
1m Code : BT 100 01 23 000	125 €
2m Code : BT 200 01 23 000	211 €
3m Code : BT 300 01 23 000	338 €



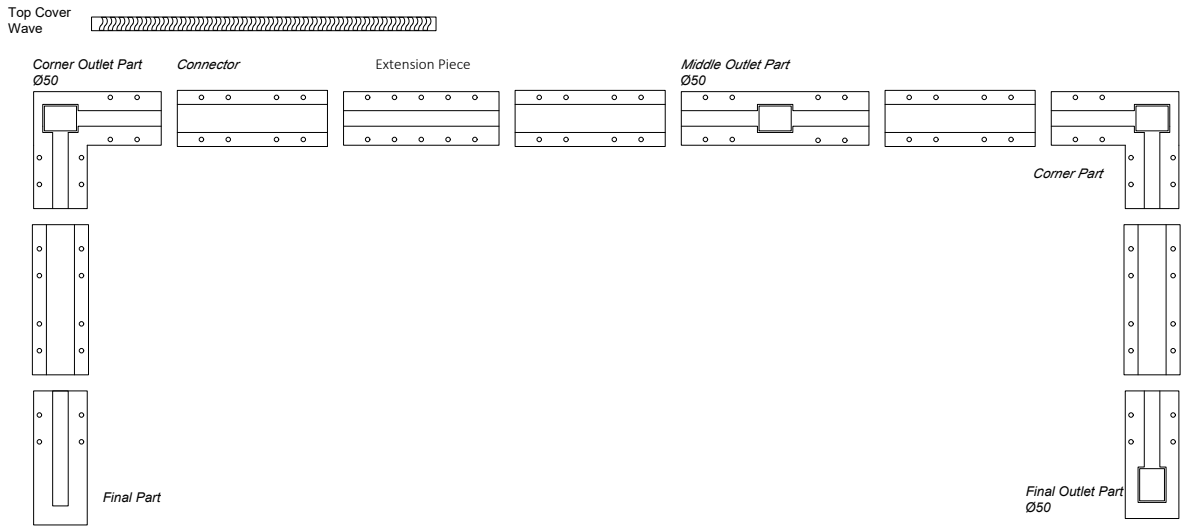


- 304 Stainless Steel
- Easy Assembling
- Easy to Clean
- Patented Gasketless System
- Double Drainage
- Cutttable
- Odor Prevent System
- Adjustment According to Tile Height
- Built-in Height Adjustment Set
- Self-tilting Main Body
- High Flow Capacity

## COMPACT, SUSTAINABLE, AND COMPATIBLE SOLUTIONS

B&T Linear Water Channels seamlessly adapt to all your projects through the combination of various components. Despite its ultra-slim appearance, it stands out with its high water drainage capacity.

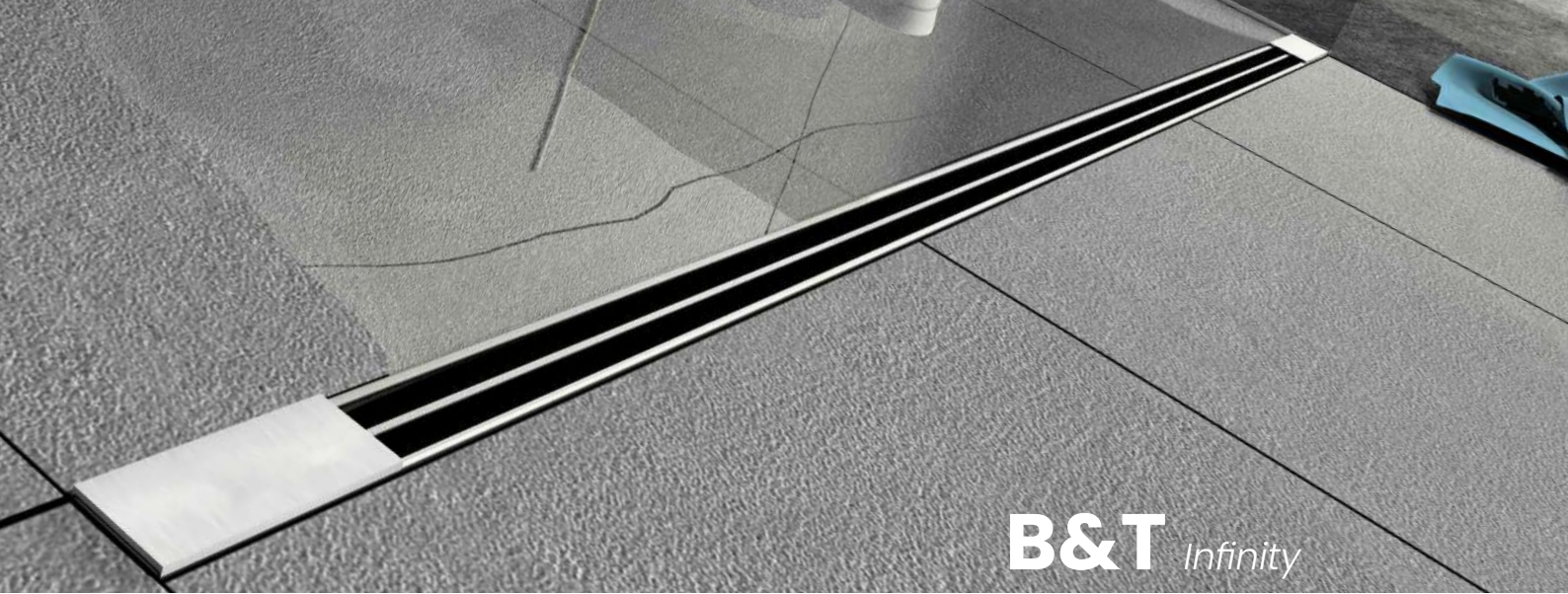




You decide the shape for your project. With cut-to-size extension pieces, it is compatible with every area.

Final Outlet Part (Ø50) Code : BT 00F 01 23 S50	Middle Outlet Part (Ø50) Code : BT 00M 01 23 S50	Corner Outlet Part (Ø50) Code : BT 00C 01 23 S50
113 €	116 €	144 €
Connector Part Code : BT 2263.02	Final Part Code : BT 00F 01 23 000	Corner Part Code : BT 00C 01 23 00
49 €	58 €	89 €
Cut-to-Size Extension Piece		
1m Code : BT 100 01 19 000		138 €
2m Code : BT 200 01 19 000		232 €
3m Code : BT 300 01 19 000		372 €



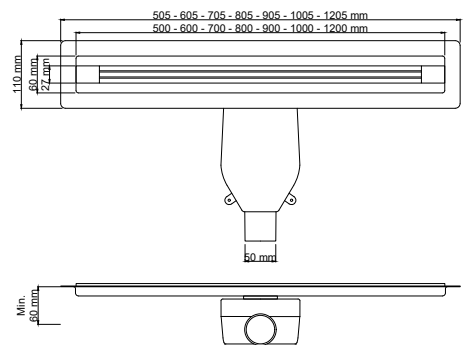


**B&T** Infinity

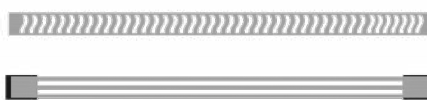
- 304**  
Stainless Steel
- Easy  
Assembling
- Easy to Clean
- Patented Gasketless  
System
- Double  
Drainage
- Odor Prevent  
System
- Adjustment  
According to Tile  
Height
- Built-in Height  
Adjustment Set
- Self-tilting  
Main Body
- High Flow  
Capacity

**ULTRA SLIM WATER DRAINAGE IN DETAIL**

The B&T Series Infinity model is designed with a slim cover and a main body with high water drainage capacity, allowing for fluid drainage without pooling, both in enclosed and open spaces.

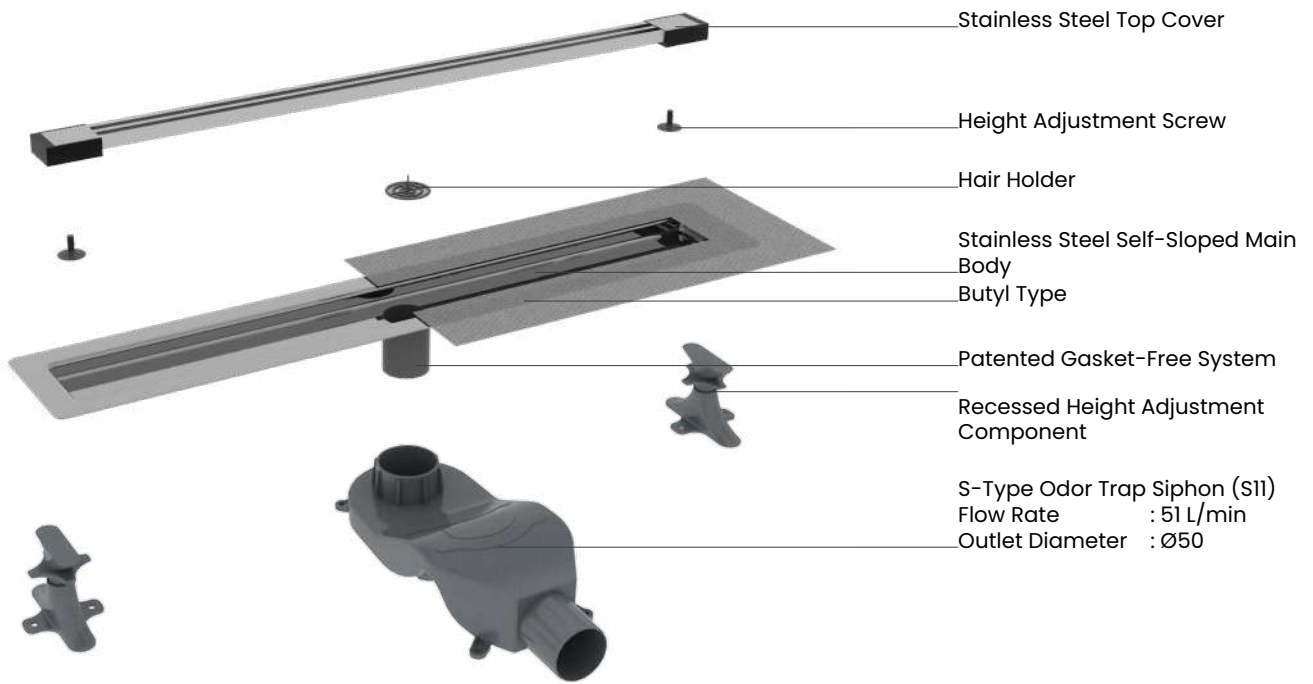


Top Cover Options



Wave  
Code : 19

Infinity  
Code : 20



Dim.	Satin Inox		Satin Gold		Satin Bronze		Satin Champagne	
50 cm	DT 050 01 20 S11	158 €	DT 050 21 20 S11	246 €	DT 050 31 20 S11	268 €	DT 050 61 20 S11	268 €
60 cm	DT 060 01 20 S11	174 €	DT 060 21 20 S11	271 €	DT 060 31 20 S11	295 €	DT 060 61 20 S11	295 €
70 cm	DT 070 01 20 S11	200 €	DT 070 21 20 S11	297 €	DT 070 31 20 S11	321 €	DT 070 61 20 S11	321 €
80 cm	DT 080 01 20 S11	213 €	DT 080 21 20 S11	344 €	DT 080 31 20 S11	377 €	DT 080 61 20 S11	377 €
90 cm	DT 090 01 20 S11	293 €	DT 090 21 20 S11	487 €	DT 090 31 20 S11	535 €	DT 090 61 20 S11	535 €
100 cm	DT 100 01 20 S11	322 €	DT 100 21 20 S11	535 €	DT 100 31 20 S11	588 €	DT 100 61 20 S11	588 €
120 cm	DT 120 01 20 S11	337 €	DT 120 21 20 S11	531 €	DT 120 31 20 S11	579 €	DT 120 61 20 S11	579 €

Dim.	Satin Anthracite		Black	
50 cm	DT 050 41 20 S11	268 €	DT 050 55 20 S11	246 €
60 cm	DT 060 41 20 S11	295 €	DT 060 55 20 S11	271 €
70 cm	DT 070 41 20 S11	321 €	DT 070 55 20 S11	297 €
80 cm	DT 080 41 20 S11	377 €	DT 080 55 20 S11	344 €
90 cm	DT 090 41 20 S11	535 €	DT 090 55 20 S11	487 €
100 cm	DT 100 41 20 S11	588 €	DT 100 55 20 S11	535 €
120 cm	DT 120 41 20 S11	579 €	DT 120 55 20 S11	531 €

PH DESIGN

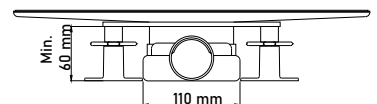
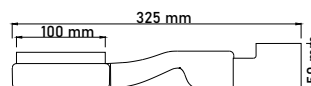
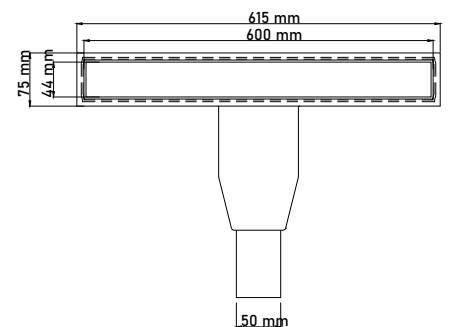
# ACROLINE



## MINIMALIST ARCHITECTURAL DESIGN

Acroline effortlessly meets the expectations of professionals who are passionate about high standards and hygiene. With a strong visual aesthetic, Acroline brings the power of steel into your spaces with its solid 3mm-thick body made of 304-grade stainless steel. Featuring flawless appearance, superior craftsmanship, and original design, it ensures satisfaction while meeting all drainage expectations with its high flow capacity.

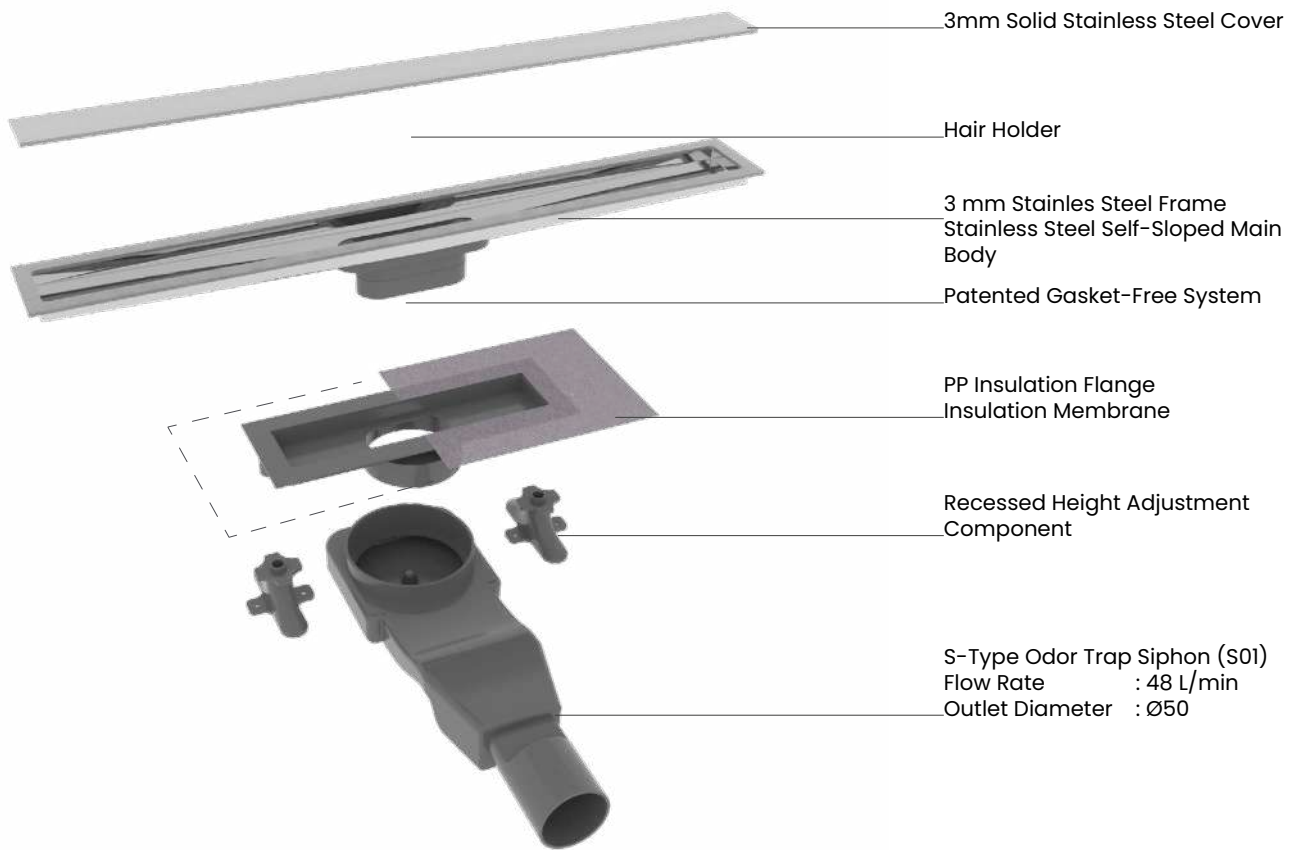
Additionally, its self-sloped body and durable internal structure prevent dirt accumulation, providing easy cleaning and installation. The dual drainage system, height adjustment set, and patented gasket-free system allow you to benefit from the latest technological advancements in this product. Its tile height adjustment capability, sharp-edged cover, and seamless integration ensure design continuity on the floor.



Top Cover Options



Acroline  
Code : 00



Dim.	Satin Inox		Satin Gold		Satin Bronze		Satin Champagne	
60 cm	DA 060 01 23 S01	160 €	DA 060 21 23 S01	240 €	DA 060 31 23 S01	270 €	DA 060 61 23 S01	280 €

Dim.	Satin Anthracite		Black	
60 cm	DA 060 41 23 S01	280 €	DA 060 55 23 S01	240 €

# PREMIUM *Linear*

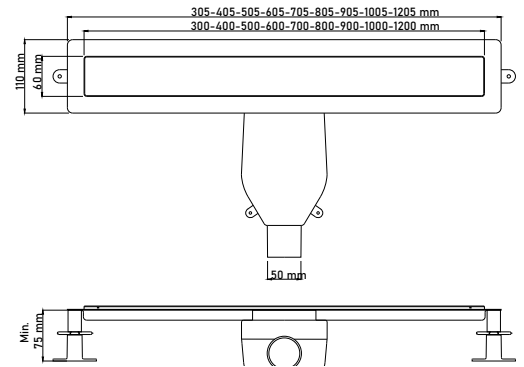
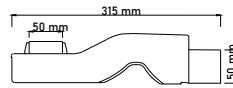


## PROFESSIONAL SOLUTION FOR YOUR PROJECTS

The next-generation Premium Series ensures a flawless installation with its dual drainage feature, large reservoir under the flooring level, and height adjustment components.

Equipped with a strong visual aesthetic, the 1.5mm thick reversible cover, made of 304-grade stainless steel, seamlessly integrates with the flooring to provide aesthetic continuity in spaces. We deliver flawless appearance, superior craftsmanship, and original design to ensure your satisfaction.

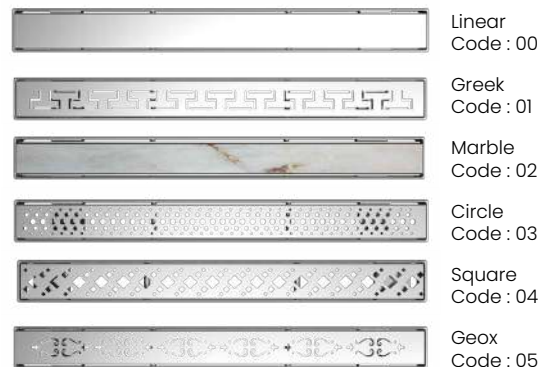
The 5-stage height adjustment set allows for the adjustment of the frame's height. This ensures a flush finish regardless of the thickness of your flooring material. (15-25 mm)



Reversible Top Cover



Top Cover Options



1.5 mm Stainless Steel Reversible Top Cover

Height Adjustment Frame

Step-Adjustable Height Set

Hair Holder

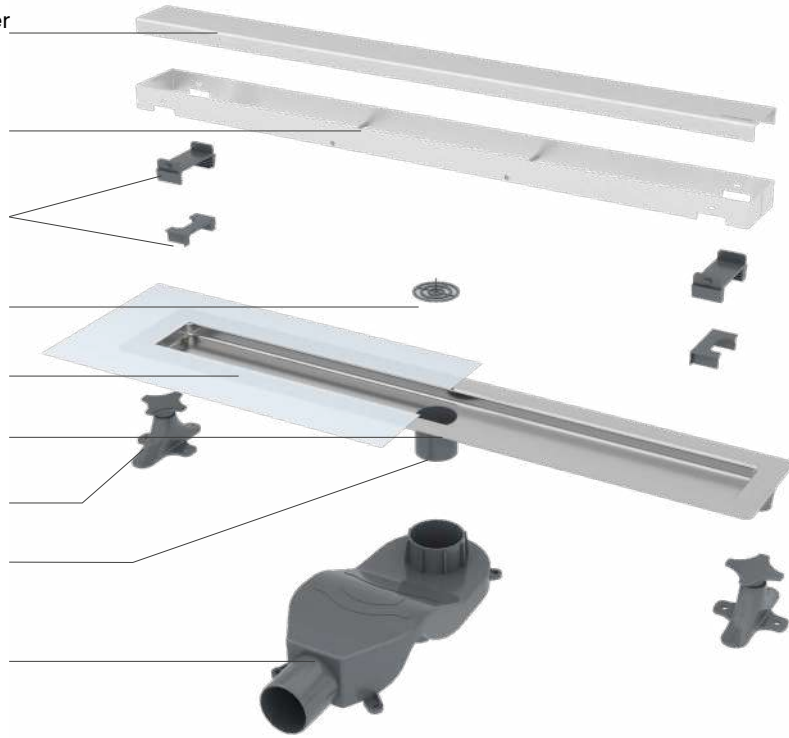
Butyl Type

Stainless Steel Insulated Skirt, Self-Sloped Main Body

Recessed Height Adjustment Component

Patented Gasket-Free System

S-Type Odor Trap Siphon (S11)  
Flow Rate: 51 L/min  
Outlet: 50 Ø



Dim.	Satin Inox		Satin Gold		Satin Bronze		Satin Champagne	
30 cm	DP 030 01 00 S11	105 €	DP 030 21 00 S11	202 €	DP 030 31 00 S11	226 €	DP 030 61 00 S11	226 €
40 cm	DP 040 01 00 S11	122 €	DP 040 21 00 S11	219 €	DP 040 31 00 S11	243 €	DP 040 61 00 S11	243 €
50 cm	DP 050 01 00 S11	136 €	DP 050 21 00 S11	233 €	DP 050 31 00 S11	257 €	DP 050 61 00 S11	257 €
60 cm	DP 060 01 00 S11	151 €	DP 060 21 00 S11	248 €	DP 060 31 00 S11	272 €	DP 060 61 00 S11	272 €
70 cm	DP 070 01 00 S11	166 €	DP 070 21 00 S11	263 €	DP 070 31 00 S11	287 €	DP 070 61 00 S11	287 €
80 cm	DP 080 01 00 S11	185 €	DP 080 21 00 S11	316 €	DP 080 31 00 S11	349 €	DP 080 61 00 S11	349 €
90 cm	DP 090 01 00 S11	199 €	DP 090 21 00 S11	405 €	DP 090 31 00 S11	453 €	DP 090 61 00 S11	453 €
120 cm	DP 120 01 00 S11	242 €	DP 120 21 00 S11	449 €	DP 120 31 00 S11	497 €	DP 120 61 00 S11	497 €

Dim.	Inox Mirror		Gold Mirror		Bronze Mirror		Champagne Mirror	
30 cm	DP 030 00 00 S11	118 €	DP 030 20 00 S11	202 €	DP 030 30 00 S11	226 €	DP 030 60 00 S11	226 €
40 cm	DP 040 00 00 S11	146 €	DP 040 20 00 S11	219 €	DP 040 30 00 S11	243 €	DP 040 60 00 S11	243 €
50 cm	DP 050 00 00 S11	161 €	DP 050 20 00 S11	233 €	DP 050 30 00 S11	257 €	DP 050 60 00 S11	257 €
60 cm	DP 060 00 00 S11	175 €	DP 060 20 00 S11	248 €	DP 060 30 00 S11	272 €	DP 060 60 00 S11	272 €
70 cm	DP 070 00 00 S11	185 €	DP 070 20 00 S11	263 €	DP 070 30 00 S11	287 €	DP 070 60 00 S11	287 €
80 cm	DP 080 00 00 S11	202 €	DP 080 20 00 S11	316 €	DP 080 30 00 S11	349 €	DP 080 60 00 S11	349 €
90 cm	DP 090 00 00 S11	224 €	DP 090 20 00 S11	405 €	DP 090 30 00 S11	453 €	DP 090 60 00 S11	453 €
120 cm	DP 120 00 00 S11	289 €	DP 120 20 00 S11	449 €	DP 120 30 00 S11	497 €	DP 120 60 00 S11	497 €

Dim.	Satin Anthracite		Anthracite Mirror		Black	
30 cm	DP 030 41 00 S11	226 €	DP 030 40 00 S11	226 €	DP 030 55 00 S11	202 €
40 cm	DP 040 41 00 S11	243 €	DP 040 40 00 S11	243 €	DP 040 55 00 S11	219 €
50 cm	DP 050 41 00 S11	257 €	DP 050 40 00 S11	257 €	DP 050 55 00 S11	233 €
60 cm	DP 060 41 00 S11	272 €	DP 060 40 00 S11	272 €	DP 060 55 00 S11	248 €
70 cm	DP 070 41 00 S11	287 €	DP 070 40 00 S11	287 €	DP 070 55 00 S11	263 €
80 cm	DP 080 41 00 S11	349 €	DP 080 40 00 S11	349 €	DP 080 55 00 S11	316 €
90 cm	DP 090 41 00 S11	453 €	DP 090 40 00 S11	453 €	DP 090 55 00 S11	405 €
120 cm	DP 120 41 00 S11	497 €	DP 120 40 00 S11	497 €	DP 120 55 00 S11	449 €

\*For other siphon alternatives, please refer to page 41.

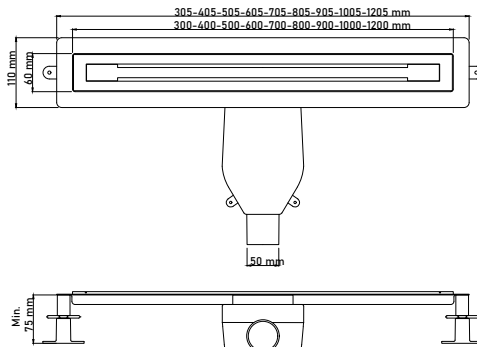
# PREMIUM V-Cut



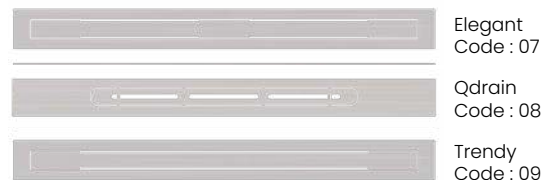
## ELEGANT SOLUTIONS WITH HIGH PERFORMANCE V-CUT DESIGN

The next-generation Premium Series flawlessly combines aesthetics and functionality with its V-cut design. Featuring dual drainage, a large reservoir beneath the floor level, and height adjustment mechanisms, it ensures a seamless installation experience.

Made from 304-grade stainless steel with a 3 mm thick cover, the V-cut detail offers an elegant and modern appearance. It integrates perfectly with the flooring, creating visual continuity. With high-quality craftsmanship and durability, the Premium Series provides a long-lasting, stylish, and functional solution for your projects.



### Top Cover Options



3 mm Stainless Steel Reversible Top Cover

Height Adjustment Frame

Step-Adjustable Height Set

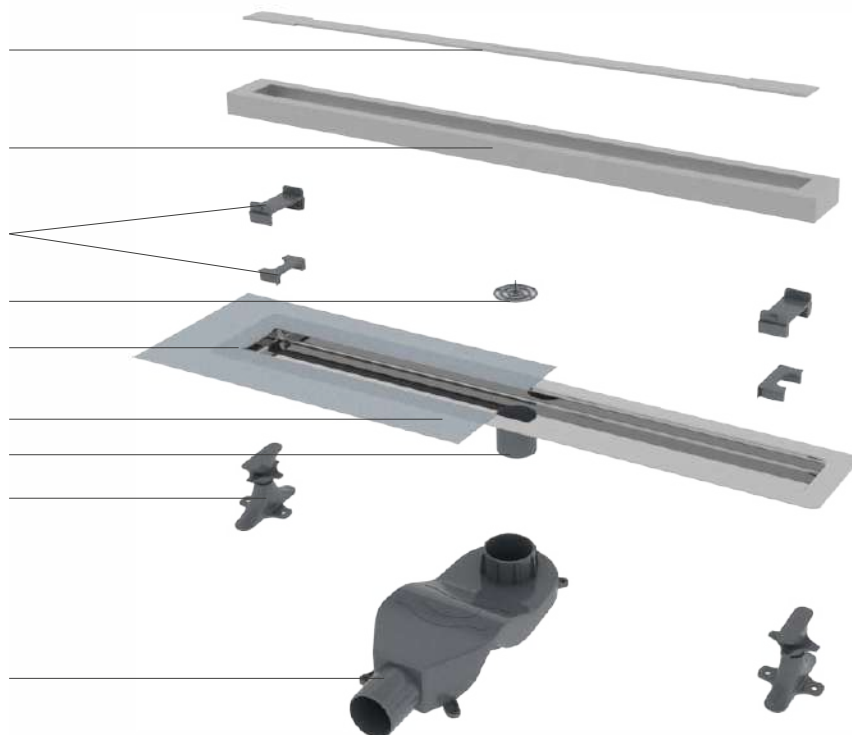
Hair Holder

Butyl Type

Stainless Steel Insulated Skirt, Self-Sloped Main Body

Patented Gasket-Free System

Recessed Height Adjustment Component



S-Type Odor Trap Siphon (S11)

Flow Rate: 51 L/min

Outlet: 50 Ø

Dim.	Satin Inox		Satin Gold		Satin Bronze		Satin Champagne	
30 cm	DP 030 01 09 S11	140 €	DP 030 21 09 S11	228 €	DP 030 31 09 S11	250 €	DP 030 61 09 S11	250 €
40 cm	DP 040 01 09 S11	154 €	DP 040 21 09 S11	251 €	DP 040 31 09 S11	275 €	DP 040 61 09 S11	275 €
50 cm	DP 050 01 09 S11	172 €	DP 050 21 09 S11	269 €	DP 050 31 09 S11	293 €	DP 050 61 09 S11	293 €
60 cm	DP 060 01 09 S11	191 €	DP 060 21 09 S11	288 €	DP 060 31 09 S11	312 €	DP 060 61 09 S11	312 €
70 cm	DP 070 01 09 S11	220 €	DP 070 21 09 S11	331 €	DP 070 31 09 S11	359 €	DP 070 61 09 S11	359 €
80 cm	DP 080 01 09 S11	234 €	DP 080 21 09 S11	365 €	DP 080 31 09 S11	398 €	DP 080 61 09 S11	398 €
90 cm	DP 090 01 09 S11	269 €	DP 090 21 09 S11	419 €	DP 090 31 09 S11	458 €	DP 090 61 09 S11	458 €
120 cm	DP 120 01 09 S11	323 €	DP 120 21 09 S11	517 €	DP 120 31 09 S11	565 €	DP 120 61 09 S11	565 €

Dim.	Inox Mirror		Gold Mirror		Bronze Mirror		Champagne Mirror	
30 cm	DP 030 00 09 S11	168 €	DP 030 20 09 S11	228 €	DP 030 30 09 S11	250 €	DP 030 60 09 S11	250 €
40 cm	DP 040 00 09 S11	185 €	DP 040 20 09 S11	251 €	DP 040 30 09 S11	275 €	DP 040 60 09 S11	275 €
50 cm	DP 050 00 09 S11	199 €	DP 050 20 09 S11	269 €	DP 050 30 09 S11	293 €	DP 050 60 09 S11	293 €
60 cm	DP 060 00 09 S11	221 €	DP 060 20 09 S11	288 €	DP 060 30 09 S11	312 €	DP 060 60 09 S11	312 €
70 cm	DP 070 00 09 S11	254 €	DP 070 20 09 S11	331 €	DP 070 30 09 S11	359 €	DP 070 60 09 S11	359 €
80 cm	DP 080 00 09 S11	256 €	DP 080 20 09 S11	365 €	DP 080 30 09 S11	398 €	DP 080 60 09 S11	398 €
90 cm	DP 090 00 09 S11	294 €	DP 090 20 09 S11	419 €	DP 090 30 09 S11	458 €	DP 090 60 09 S11	458 €
120 cm	DP 120 00 09 S11	366 €	DP 120 20 09 S11	517 €	DP 120 30 09 S11	565 €	DP 120 60 09 S11	565 €

Dim.	Satin Anthracite		Anthracite Mirror		Black	
30 cm	DP 030 41 09 S11	250 €	DP 030 40 09 S11	250 €	DP 030 55 09 S11	228 €
40 cm	DP 040 41 09 S11	275 €	DP 040 40 09 S11	275 €	DP 040 55 09 S11	251 €
50 cm	DP 050 41 09 S11	293 €	DP 050 40 09 S11	293 €	DP 050 55 09 S11	269 €
60 cm	DP 060 41 09 S11	312 €	DP 060 40 09 S11	312 €	DP 060 55 09 S11	288 €
70 cm	DP 070 41 09 S11	359 €	DP 070 40 09 S11	359 €	DP 070 55 09 S11	331 €
80 cm	DP 080 41 09 S11	398 €	DP 080 40 09 S11	398 €	DP 080 55 09 S11	365 €
90 cm	DP 090 41 09 S11	458 €	DP 090 40 09 S11	458 €	DP 090 55 09 S11	419 €
120 cm	DP 120 41 09 S11	565 €	DP 120 40 09 S11	565 €	DP 120 55 09 S11	517 €

\*For other siphon alternatives, please refer to page 41.

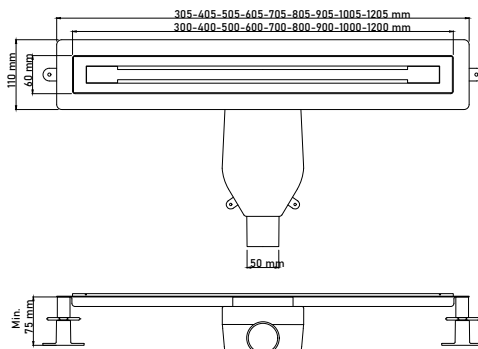
# SLIM V-Cut




## ELEGANT AND SLIM DESIGN WITH HIGH PERFORMANCE

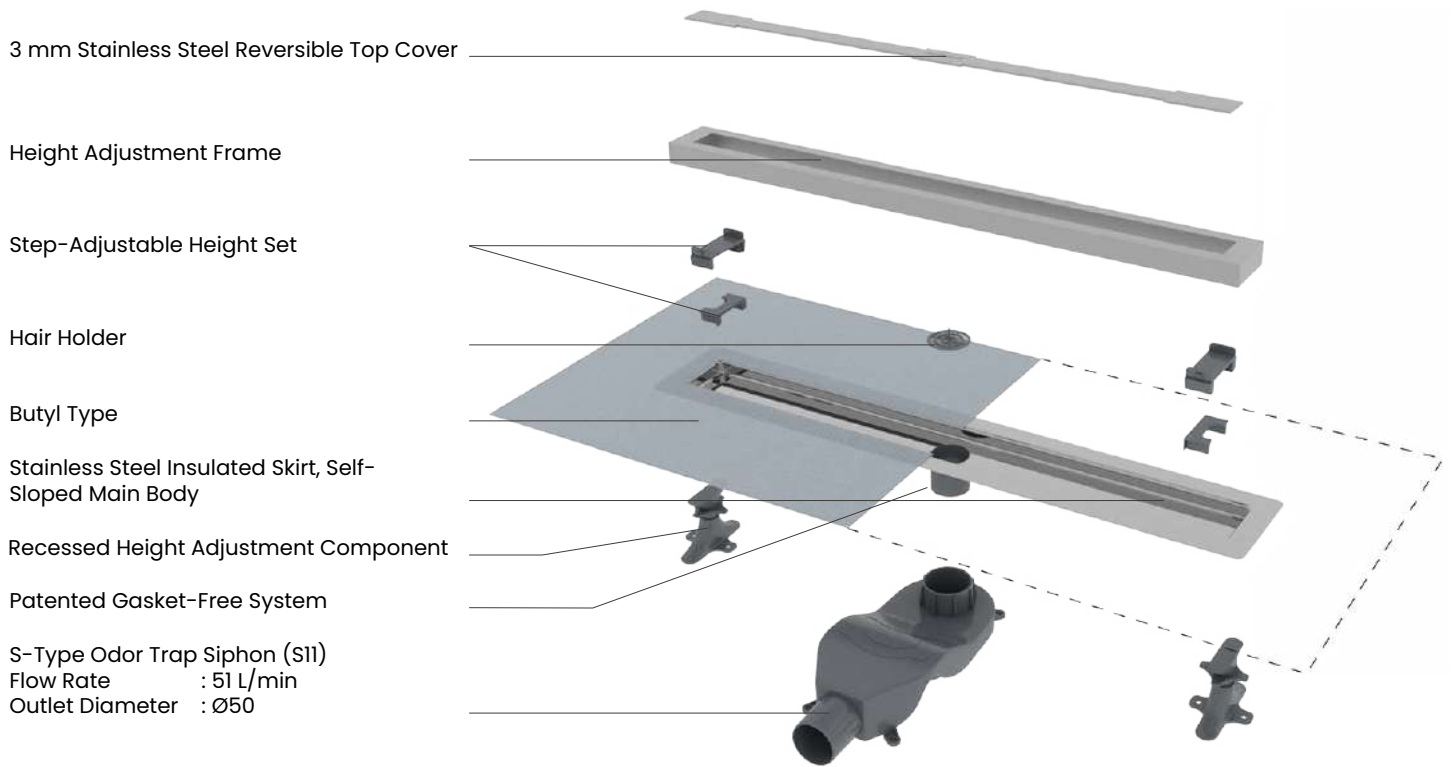
The Slim Series offers an elegant solution with its 400mm width and dual drainage feature, adding an aesthetic touch to your spaces without compromising on functionality. Its ultra-slim design makes it an ideal choice for modern and sophisticated environments, ensuring perfect visual harmony.

Made from 304-grade stainless steel with a 1.5mm thick cover and V-cut design, it provides an elegant appearance and integrates seamlessly with the flooring. With durability and aesthetic design, the Slim Series guarantees long-lasting use and visual unity in your projects.



### Top Cover Options

	Elegant Code : 07
	Qdrain Code : 08
	Trendy Code : 09



Dim.	Satin Inox		Satin Gold		Satin Bronze		Satin Champagne	
30 cm	DS 030 01 07 S11	127 €	DS 030 21 07 S11	215 €	DS 030 31 07 S11	237 €	DS 030 61 07 S11	237 €
40 cm	DS 040 01 07 S11	140 €	DS 040 21 07 S11	237 €	DS 040 31 07 S11	261 €	DS 040 61 07 S11	261 €
50 cm	DS 050 01 07 S11	158 €	DS 050 21 07 S11	255 €	DS 050 31 07 S11	279 €	DS 050 61 07 S11	279 €
60 cm	DS 060 01 07 S11	174 €	DS 060 21 07 S11	271 €	DS 060 31 07 S11	295 €	DS 060 61 07 S11	295 €
70 cm	DS 070 01 07 S11	200 €	DS 070 21 07 S11	297 €	DS 070 31 07 S11	321 €	DS 070 61 07 S11	321 €
80 cm	DS 080 01 07 S11	213 €	DS 080 21 07 S11	344 €	DS 080 31 07 S11	377 €	DS 080 61 07 S11	377 €
90 cm	DS 090 01 07 S11	239 €	DS 090 21 07 S11	433 €	DS 090 31 07 S11	481 €	DS 090 61 07 S11	481 €
120 cm	DS 120 01 07 S11	293 €	DS 120 21 07 S11	487 €	DS 120 31 07 S11	535 €	DS 120 61 07 S11	535 €

Dim.	Inox Mirror		Gold Mirror		Bronze Mirror		Champagne Mirror	
30 cm	DS 030 00 07 S11	152 €	DS 030 20 07 S11	215 €	DS 030 30 07 S11	237 €	DS 030 60 07 S11	237 €
40 cm	DS 040 00 07 S11	168 €	DS 040 20 07 S11	237 €	DS 040 30 07 S11	261 €	DS 040 60 07 S11	261 €
50 cm	DS 050 00 07 S11	190 €	DS 050 20 07 S11	255 €	DS 050 30 07 S11	279 €	DS 050 60 07 S11	279 €
60 cm	DS 060 00 07 S11	201 €	DS 060 20 07 S11	271 €	DS 060 30 07 S11	295 €	DS 060 60 07 S11	295 €
70 cm	DS 070 00 07 S11	225 €	DS 070 20 07 S11	297 €	DS 070 30 07 S11	321 €	DS 070 60 07 S11	321 €
80 cm	DS 080 00 07 S11	232 €	DS 080 20 07 S11	344 €	DS 080 30 07 S11	377 €	DS 080 60 07 S11	377 €
90 cm	DS 090 00 07 S11	265 €	DS 090 20 07 S11	433 €	DS 090 30 07 S11	481 €	DS 090 60 07 S11	481 €
120 cm	DS 120 00 07 S11	332 €	DS 120 20 07 S11	487 €	DS 120 30 07 S11	535 €	DS 120 60 07 S11	535 €

Dim.	Satin Anthracite		Anthracite Mirror		Black	
30 cm	DS 030 41 07 S11	237 €	DS 030 40 07 S11	237 €	DS 030 55 07 S11	215 €
40 cm	DS 040 41 07 S11	261 €	DS 040 40 07 S11	261 €	DS 040 55 07 S11	237 €
50 cm	DS 050 41 07 S11	279 €	DS 050 40 07 S11	279 €	DS 050 55 07 S11	255 €
60 cm	DS 060 41 07 S11	295 €	DS 060 40 07 S11	295 €	DS 060 55 07 S11	271 €
70 cm	DS 070 41 07 S11	321 €	DS 070 40 07 S11	321 €	DS 070 55 07 S11	297 €
80 cm	DS 080 41 07 S11	377 €	DS 080 40 07 S11	377 €	DS 080 55 07 S11	344 €
90 cm	DS 090 41 07 S11	481 €	DS 090 40 07 S11	481 €	DS 090 55 07 S11	433 €
120 cm	DS 120 41 07 S11	535 €	DS 120 40 07 S11	535 €	DS 120 55 07 S11	487 €

# SMARTLINE *Cuttable V-cut*

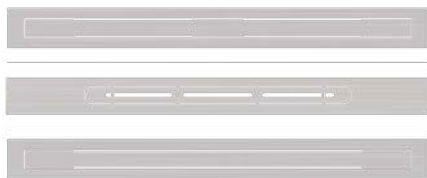


## HIGH-TECH V-CUT FEATURE

The Smartline V-cut Series, manufactured using V-Cut technology, features perfect 90° vertical corners, ensuring seamless compatibility with all types of flooring. Its self-sloped body with high water drainage capacity prevents water pooling in wet areas.



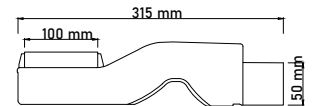
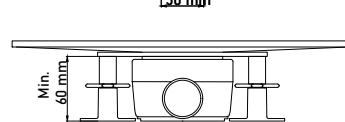
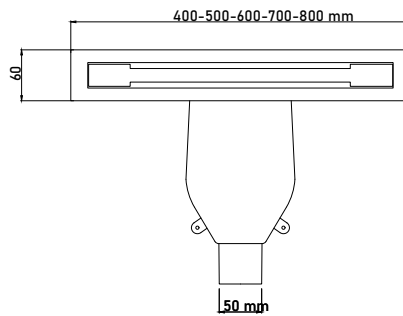
Top Cover Options



Elegant  
Code : 07

Qdrain  
Code : 08

Trendy  
Code : 09



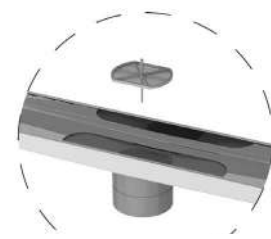
S01- S13- S15- S95

The drainage system and siphon connection are made with insulation membrane and insulation flange, ensuring maximum insulation. The recessed height adjustment foot set is also provided along with the insulation kit.



S02- S03- S11

Direct Connection with Siphon  
*No Insulation Kit*



S50

Ø50 Direct Connection  
*No Insulation Kit*

3 mm Stainless Steel Top Cover \_\_\_\_\_

Hair Holder \_\_\_\_\_

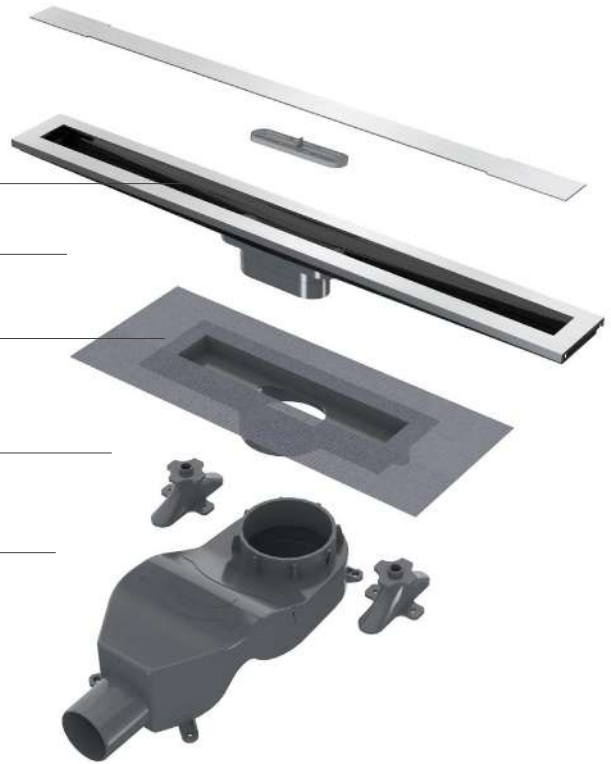
1.5 mm V-cut frame  
Stainless steel self-curving main  
body \_\_\_\_\_

Patented Gasket-Free System \_\_\_\_\_

PP Insulation Flange  
Insulation Membrane \_\_\_\_\_

Recessed Height Adjustment  
Component \_\_\_\_\_

S-Type Odor Trap Siphon (S15)  
Flow Rate : 51 L/min  
Outlet Diameter : Ø50 \_\_\_\_\_



Dim.	Satin Inox		Satin Gold		Satin Bronze		Satin Champagne	
40 cm	DC 040 01 09 S15	132 €	DC 040 21 09 S15	187 €	DC 040 31 09 S15	187 €	DC 040 61 09 S15	187 €
50 cm	DC 050 01 09 S15	133 €	DC 050 21 09 S15	188 €	DC 050 31 09 S15	188 €	DC 050 61 09 S15	188 €
60 cm	DC 060 01 09 S15	143 €	DC 060 21 09 S15	198 €	DC 060 31 09 S15	198 €	DC 060 61 09 S15	195 €
70 cm	DC 070 01 09 S15	145 €	DC 070 21 09 S15	244 €	DC 070 31 09 S15	244 €	DC 070 61 09 S15	244 €
80 cm	DC 080 01 09 S15	150 €	DC 080 21 09 S15	250 €	DC 080 31 09 S15	250 €	DC 080 61 09 S15	250 €
90 cm	DC 090 01 09 S15	156 €	DC 090 21 09 S15	255 €	DC 090 31 09 S15	255 €	DC 090 61 09 S15	255 €
100 cm	DC 100 01 09 S15	158 €	DC 100 21 09 S15	257 €	DC 100 31 09 S15	257 €	DC 100 61 09 S15	257 €
120 cm	DC 120 01 09 S15	167 €	DC 120 21 09 S15	266 €	DC 120 31 09 S15	266 €	DC 120 61 09 S15	266 €

Dim.	Inox Mirror		Gold Mirror		Bronze Mirror		Champagne Mirror	
40 cm	DC 040 00 09 S15	150 €	DC 040 20 09 S15	187 €	DC 040 30 09 S15	187 €	DC 040 60 09 S15	187 €
50 cm	DC 050 00 09 S15	153 €	DC 050 20 09 S15	188 €	DC 050 30 09 S15	188 €	DC 050 60 09 S15	188 €
60 cm	DC 060 00 09 S15	165 €	DC 060 20 09 S15	198 €	DC 060 30 09 S15	198 €	DC 060 60 09 S15	195 €
70 cm	DC 070 00 09 S15	167 €	DC 070 20 09 S15	244 €	DC 070 30 09 S15	244 €	DC 070 60 09 S15	244 €
80 cm	DC 080 00 09 S15	167 €	DC 080 20 09 S15	250 €	DC 080 30 09 S15	250 €	DC 080 60 09 S15	250 €
90 cm	DC 090 00 09 S15	179 €	DC 090 20 09 S15	255 €	DC 090 30 09 S15	255 €	DC 090 60 09 S15	255 €
100 cm	DC 100 00 09 S15	182 €	DC 100 20 09 S15	257 €	DC 100 30 09 S15	257 €	DC 100 60 09 S15	257 €
120 cm	DC 120 00 09 S15	192 €	DC 120 20 09 S15	266 €	DC 120 30 09 S15	266 €	DC 120 60 09 S15	266 €

Dim.	Satin Anthracite		Anthracite Mirror		Black	
40 cm	DC 040 41 09 S15	187 €	DC 040 40 09 S15	187 €	DC 040 55 09 S15	187 €
50 cm	DC 050 41 09 S15	188 €	DC 050 40 09 S15	188€	DC 050 55 09 S15	188 €
60 cm	DC 060 41 09 S15	198 €	DC 060 40 09 S15	198 €	DC 060 55 09 S15	198 €
70 cm	DC 070 41 09 S15	244 €	DC 070 40 09 S15	244 €	DC 070 55 09 S15	244 €
80 cm	DC 080 41 09 S15	250 €	DC 080 40 09 S15	250 €	DC 080 55 09 S15	254 €
90 cm	DC 090 41 09 S15	255 €	DC 090 40 09 S15	255 €	DC 090 55 09 S15	255 €
100 cm	DC 100 41 09 S15	257 €	DC 100 40 09 S15	257 €	DC 100 55 09 S15	257 €
120 cm	DC 120 41 09 S15	266 €	DC 120 40 09 S15	266 €	DC 120 55 09 S15	266 €

\*For other siphon alternatives, please refer to page 41.

# COMPACTLINE *Cuttable V-cut*

PH DESIGN



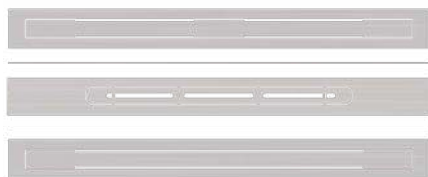
## HIGH-TECH V-CUT FEATURE

The Compactline Series, manufactured using V-Cut technology, features perfect 90° vertical corners, ensuring seamless compatibility with all types of flooring. Designed as a cut-to-size system, it can be trimmed to fit any application area starting from 40 cm.

Cut-to-Size Cover System Based on Application Area



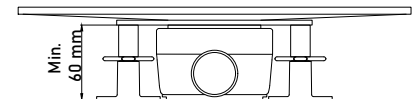
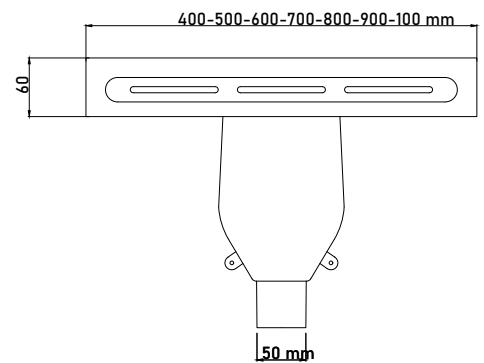
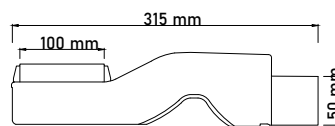
Top Cover Options



Elegant  
Code : 07

Qdrain  
Code : 08

Trendy  
Code : 09



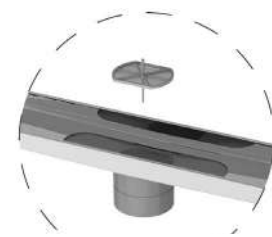
S01- S13- S15- S95

The drainage system and siphon connection are made with insulation membrane and insulation flange, ensuring maximum insulation. The recessed height adjustment foot set is also provided along with the insulation kit.



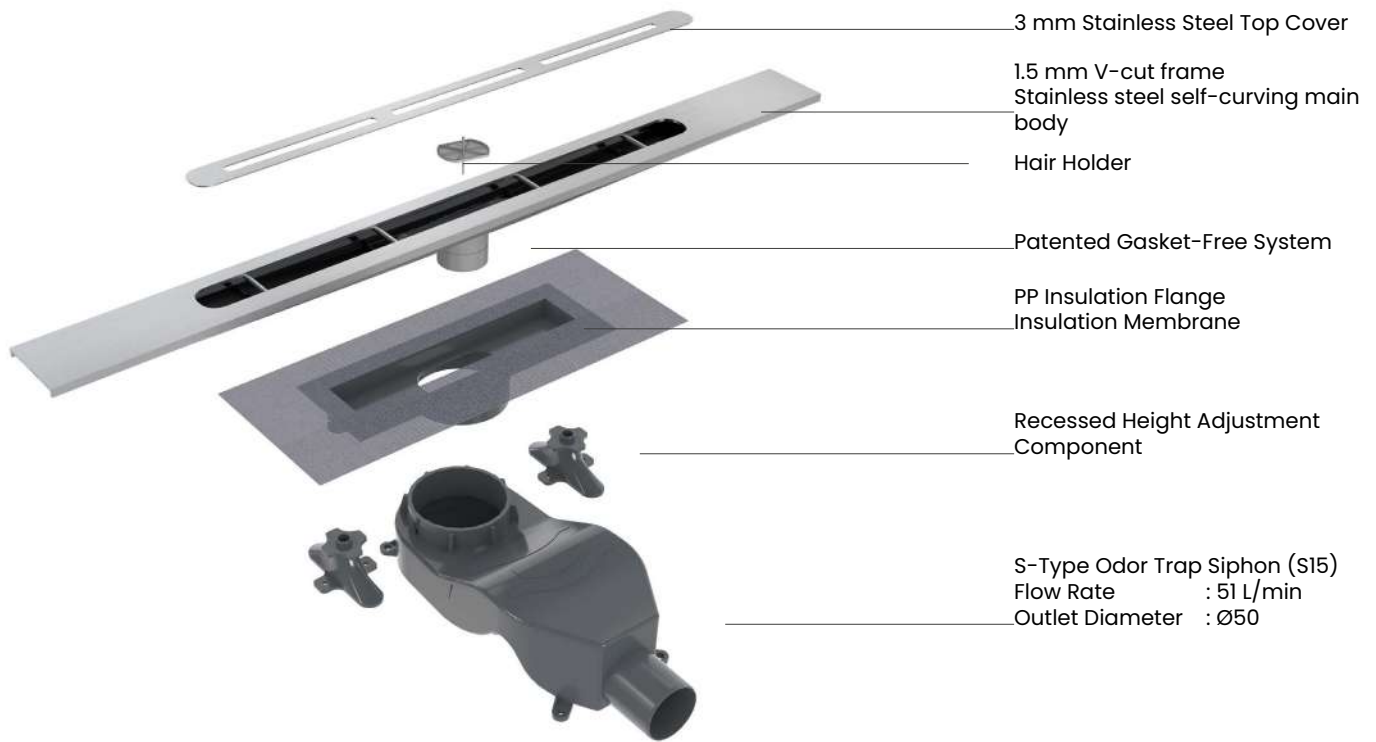
S02- S03- S11

Direct Connection with Siphon  
*No Insulation Kit*



S50

Ø50 Direct Connection  
*No Insulation Kit*



Dim.	Satin Inox		Satin Gold		Satin Bronze		Satin Champagne	
40 cm	DF 040 01 08 S15	132 €	DF 040 21 08 S15	198 €	DF 040 31 08 S15	198 €	DF 040 61 08 S15	198 €
50 cm	DF 050 01 08 S15	135 €	DF 050 21 08 S15	200 €	DF 050 31 08 S15	200 €	DF 050 61 08 S15	200 €
60 cm	DF 060 01 08 S15	136 €	DF 060 21 08 S15	205 €	DF 060 31 08 S15	205 €	DF 060 61 08 S15	205 €
70 cm	DF 070 01 08 S15	137 €	DF 070 21 08 S15	218 €	DF 070 31 08 S15	218 €	DF 070 61 08 S15	218 €
80 cm	DF 080 01 08 S15	147 €	DF 080 21 08 S15	228 €	DF 080 31 08 S15	228 €	DF 080 61 08 S15	228 €
90 cm	DF 090 01 08 S15	149 €	DF 090 21 08 S15	230 €	DF 090 31 08 S15	230 €	DF 090 61 08 S15	230 €
100 cm	DF 100 01 08 S15	151 €	DF 100 21 08 S15	232 €	DF 100 31 08 S15	232 €	DF 100 61 08 S15	232 €

Dim.	Inox Mirror		Gold Mirror		Bronze Mirror		Champagne Mirror	
40 cm	DF 040 00 08 S15	150 €	DF 040 20 08 S15	198 €	DF 040 30 08 S15	198 €	DF 040 60 08 S15	198 €
50 cm	DF 050 00 08 S15	153 €	DF 050 20 08 S15	200 €	DF 050 30 08 S15	200 €	DF 050 60 08 S15	200 €
60 cm	DF 060 00 08 S15	155 €	DF 060 20 08 S15	205 €	DF 060 30 08 S15	205 €	DF 060 60 08 S15	205 €
70 cm	DF 070 00 08 S15	158 €	DF 070 20 08 S15	218 €	DF 070 30 08 S15	218 €	DF 070 60 08 S15	218 €
80 cm	DF 080 00 08 S15	169 €	DF 080 20 08 S15	228 €	DF 080 30 08 S15	228 €	DF 080 60 08 S15	228 €
90 cm	DF 090 00 08 S15	171 €	DF 090 20 08 S15	230 €	DF 080 30 08 S15	228 €	DF 090 60 08 S15	230 €
100 cm	DF 100 00 08 S15	174 €	DF 100 20 08 S15	232 €	DF 100 30 08 S15	232 €	DF 100 60 08 S15	232 €

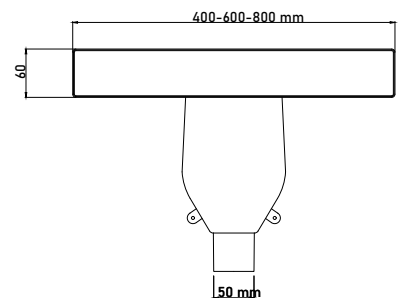
Dim.	Satin Anthracite		Anthracite Mirror		Black	
40 cm	DF 040 41 08 S15	198 €	DF 040 40 08 S15	198 €	DF 040 55 08 S15	198 €
50 cm	DF 050 41 08 S15	200 €	DF 050 40 08 S15	200 €	DF 050 55 08 S15	200 €
60 cm	DF 060 41 08 S15	205 €	DF 060 40 08 S15	205 €	DF 060 55 08 S15	205 €
70 cm	DF 070 41 08 S15	218 €	DF 070 40 08 S15	218 €	DF 070 55 08 S15	218 €
80 cm	DF 080 41 08 S15	228 €	DF 080 40 08 S15	228 €	DF 080 55 08 S15	228 €
90 cm	DF 090 41 08 S15	230 €	DF 090 40 08 S15	230 €	DF 090 55 08 S15	230 €
100 cm	DF 100 41 08 S15	232 €	DF 100 40 08 S15	232 €	DF 100 55 08 S15	232 €

# SMARTLINE *Linear*

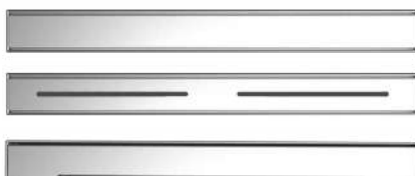


## MAXIMUM HYGIENE IN YOUR BATHROOMS

Provides maximum hygiene in your bathrooms with its self-sloped 304-grade stainless steel body and cover system.



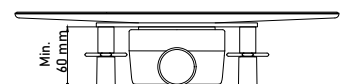
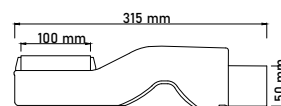
Top Cover Options



Linear  
Code : 00

Qdrain  
Code : 08

Slot  
Code : 11



1.5 mm Stainless Steel Top Cover

Hair Holder

Stainless Steel Self-Sloped Main Body

Patented Gasket-Free System

PP Insulation Flange  
Insulation Membrane

Recessed Height Adjustment  
Component

S-Type Odor Trap Siphon (S15)  
Flow Rate : 51 L/min  
Outlet Diameter : Ø50



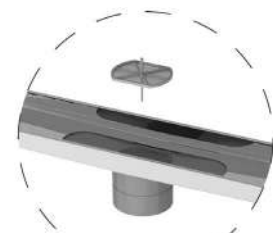
S01- S13- S15- S95

The drainage system and siphon connection are made with insulation membrane and insulation flange, ensuring maximum insulation. The recessed height adjustment foot set is also provided along with the insulation kit.



S02- S03- S11

Direct Connection with Siphon  
*No Insulation Kit*



S50

Ø50 Direct Connection  
*No Insulation Kit*

Dim.	Satin Inox		Satin Gold		Satin Bronze		Satin Champagne	
40 cm	DC 040 01 00 S15	72 €	DC 040 21 00 S15	144 €	DC 040 31 00 S15	144 €	DC 040 61 00 S15	144 €
60 cm	DC 060 01 00 S15	82 €	DC 060 21 00 S15	154 €	DC 060 31 00 S15	154 €	DC 060 61 00 S15	154 €
80 cm	DC 080 01 00 S15	92 €	DC 080 21 00 S15	178 €	DC 080 31 00 S15	178 €	DC 080 61 00 S15	178 €

Dim.	Inox Mirror		Gold Mirror		Bronze Mirror		Champagne Mirror	
40 cm	DC 040 00 00 S15	85 €	DC 040 20 00 S15	144 €	DC 040 30 00 S15	144 €	DC 040 60 00 S15	144 €
60 cm	DC 060 00 00 S15	95 €	DC 060 20 00 S15	154 €	DC 060 30 00 S15	154 €	DC 060 60 00 S15	154 €
80 cm	DC 080 00 00 S15	110 €	DC 080 20 00 S15	178 €	DC 080 30 00 S15	178 €	DC 080 60 00 S15	178 €

Dim.	Satin Anthracite		Anthracite Mirror		Black	
40 cm	DC 040 41 00 S15	144 €	DC 040 40 00 S15	144 €	DC 040 55 00 S15	144 €
60 cm	DC 060 41 00 S15	154 €	DC 060 40 00 S15	154 €	DC 060 55 00 S15	154 €
80 cm	DC 080 41 00 S15	178 €	DC 080 40 00 S15	178 €	DC 080 55 00 S15	178 €

\*For other siphon alternatives, please refer to page 41.

# NATURALINE



- 

304  
Stainless Steel
- 

Easy  
Assembling
- 

Easy to Clean
- 

Patented Gasketless  
System
- 

Double  
Drainage
- 

Odor Prevent  
System
- 

Built-in Height  
Adjustment Set
- 

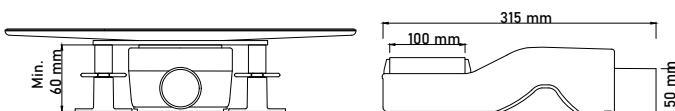
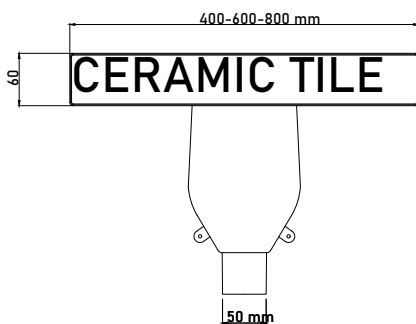
Self-tilting  
Main Body
- 

High Flow  
Capacity
- 

Reversible  
Top Cover

## DESIGN THAT COMBINES ELEGANCE AND FUNCTIONALITY

The Naturaline Ceramic Shower Channel ensures superior water drainage performance, allowing you to forget about water pooling and unpleasant odors. With its sloped main body and ceramic-compatible top cover, you will experience both elegance and functionality at their finest in your bathroom. Additionally, its easy-to-clean surface provides a hygienic bathroom experience. It is also suitable for dual-sided use.



Top Cover Options  
Marble  
Code : 02

1.5mm Stainless Steel  
Ceramic-Compatible Cover  
(Reversible)

Hair Holder

Stainless Steel Self-Sloped Main  
Body

Patented Gasket-Free System

PP Insulation Flange  
Insulation Membrane

Recessed Height Adjustment  
Component

S-Type Odor Trap Siphon (S15)  
Flow Rate : 51 L/min  
Outlet Diameter : Ø50



Dim.	Satin Inox		Satin Gold		Satin Bronze		Satin Champagne	
60 cm	DN 060 01 06 S15	82 €	DN 060 21 06 S15	154 €	DN 060 31 06 S15	154 €	DN 060 61 06 S15	154 €
Dim.	Inox Mirror		Gold Mirror		Bronze Mirror		Champagne Mirror	
60 cm	DN 060 00 06 S15	95 €	DN 060 20 06 S15	154 €	DN 060 30 06 S15	154 €	DN 060 60 06 S15	154 €
Dim.	Satin Anthracite		Anthracite Mirror		Black			
60 cm	DN 060 41 06 S15	154 €	DN 060 40 06 S15	154 €	DN 060 55 06 S15	154 €		

# BASIC



## COST-EFFECTIVE DRAINAGE SYSTEM THAT DIRECTS WATER

The Basic Shower Channel is available in two different models.

The S01 and S07 models feature a side outlet, ensuring fast, efficient, and economical water drainage.

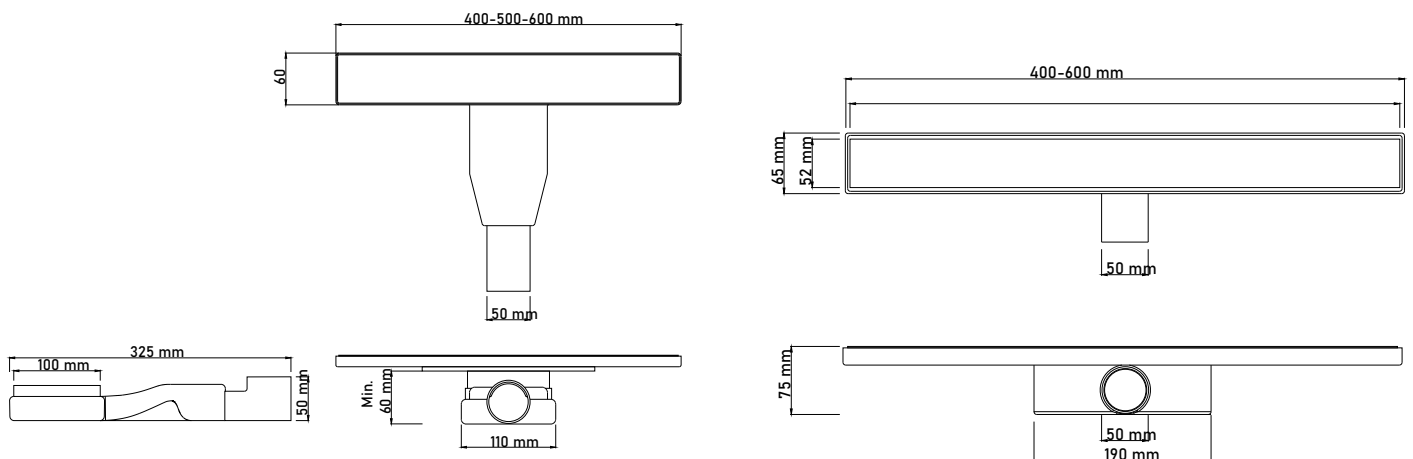


S01 Side Outlet Internal Siphon  
Insulation Kit Included



S07 Side Outlet Internal Siphon  
No Insulation Kit Available

The S01 siphon model comes with an insulation kit, providing extra security by preventing water leakage. You can choose the model that best suits your needs to make your shower experience safer and more comfortable.



1.5 mm Stainless Steel Top Cover

Hair Holder

Plastic (PP) Main Body

PP Insulation Flange  
Insulation Membrane

Recessed Height Adjustment  
Component

S-Type Odor Trap Siphon (S01)

Flow Rate : 51 L/min

Outlet Diameter : Ø50



Dim.	Satin Inox	
40 cm	DB 040 01 00 S01	50,4 €
50 cm	DB 050 01 00 S01	59,6 €
60 cm	DB 060 01 00 S01	70,8 €

1.5 mm Stainless Steel Top Cover

Hair Holder

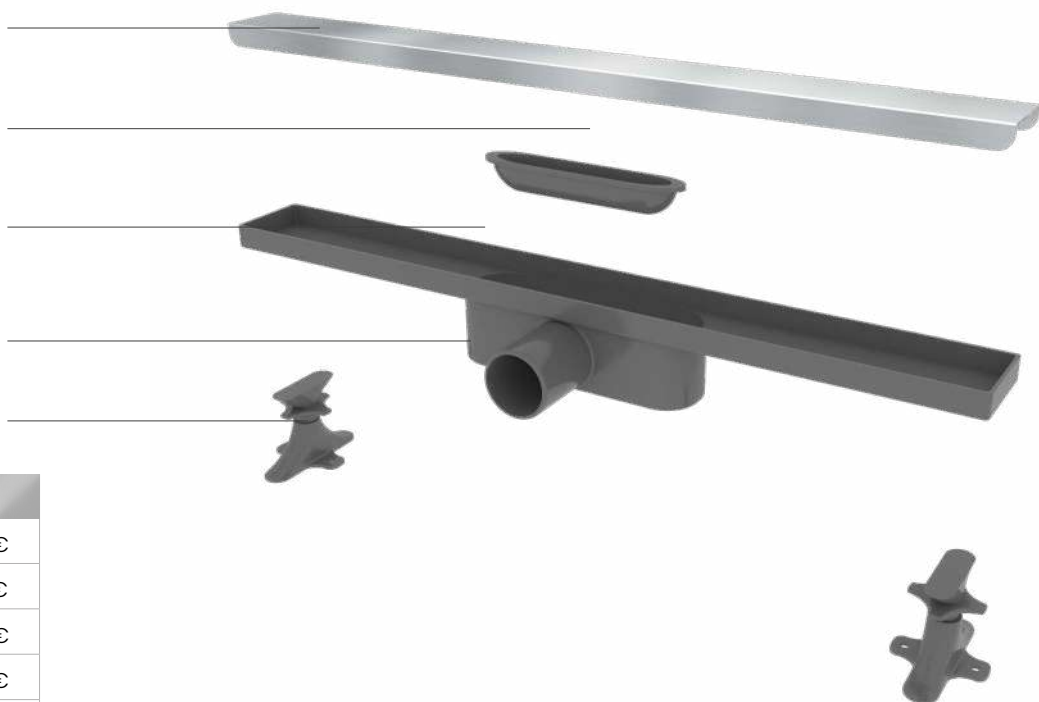
Plastic (PP) Main Body

S-Type Odor Trap Siphon (S07)

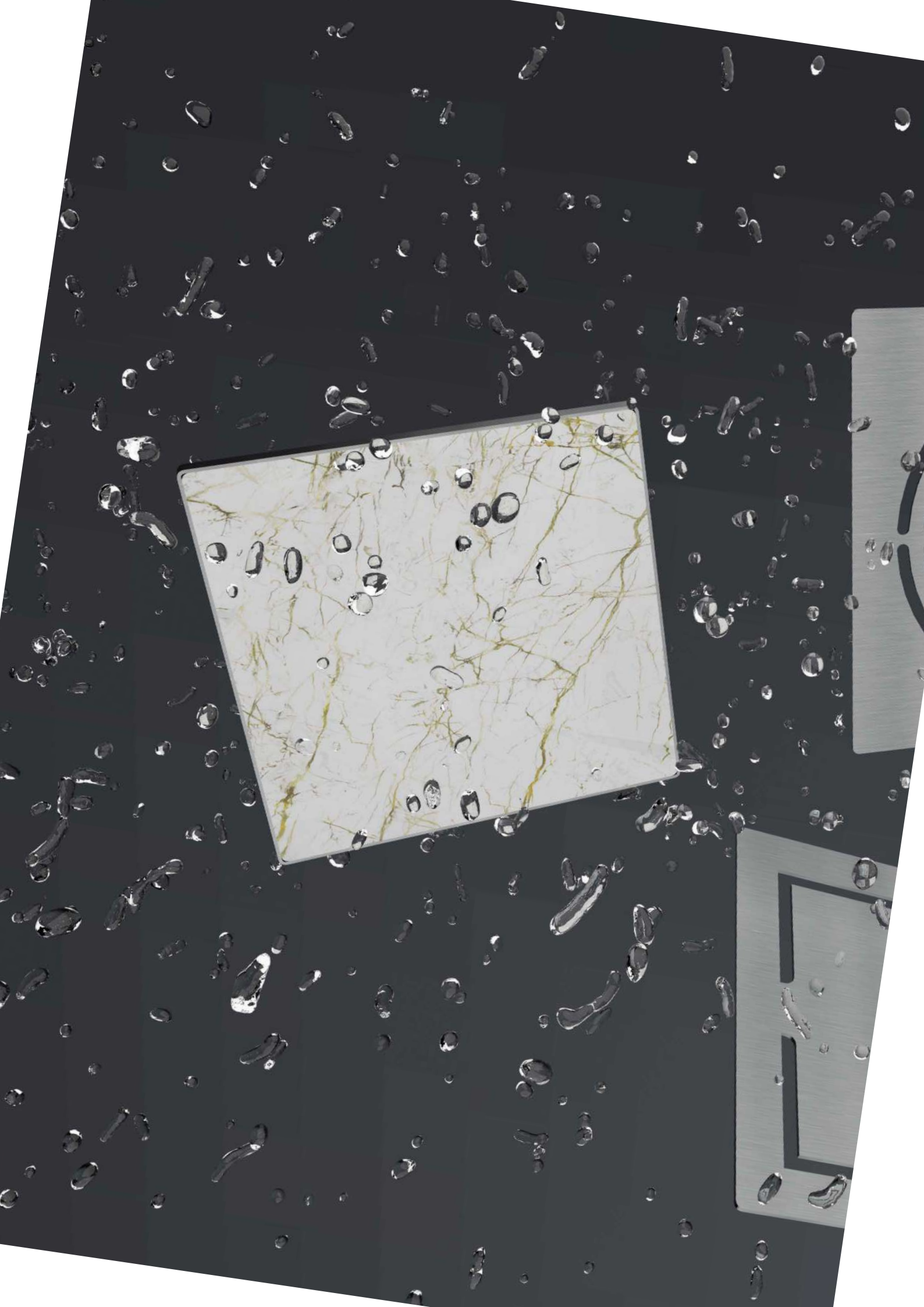
Flow Rate : 36 L/min

Outlet Diameter : Ø50

Recessed Height Adjustment  
Component



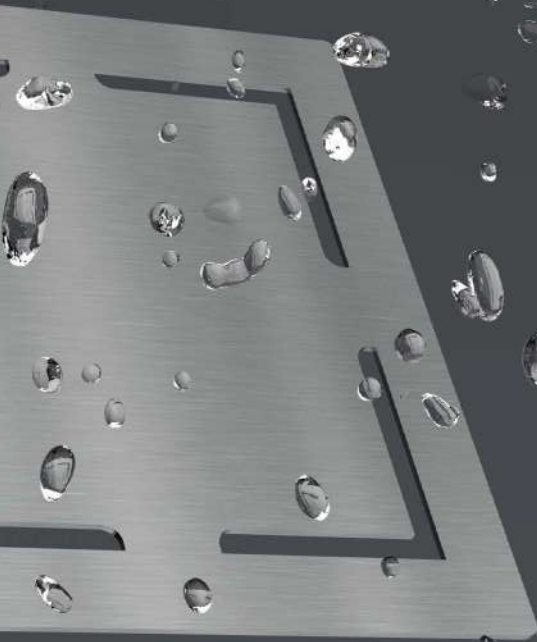
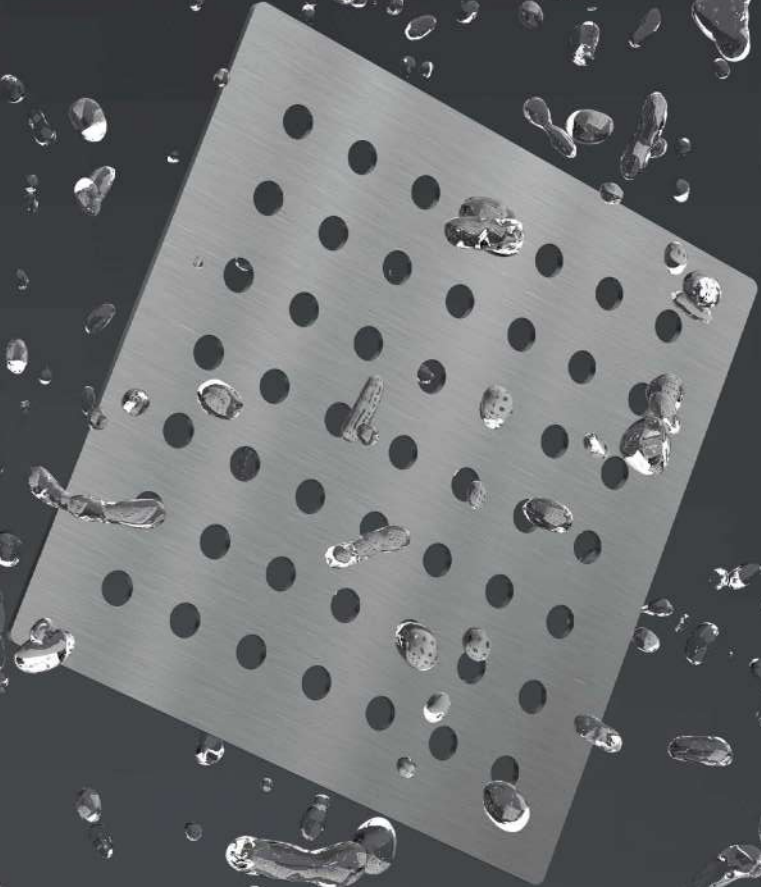
Dim.	Satin Inox	
30 cm	DB 030 01 00 S07	40 €
40 cm	DB 040 01 00 S07	42 €
50 cm	DB 050 01 00 S07	48 €
60 cm	DB 060 01 00 S07	50 €
70 cm	DB 070 01 00 S07	56 €
80 cm	DB 080 01 00 S07	72 €
90 cm	DB 090 01 00 S07	80 €



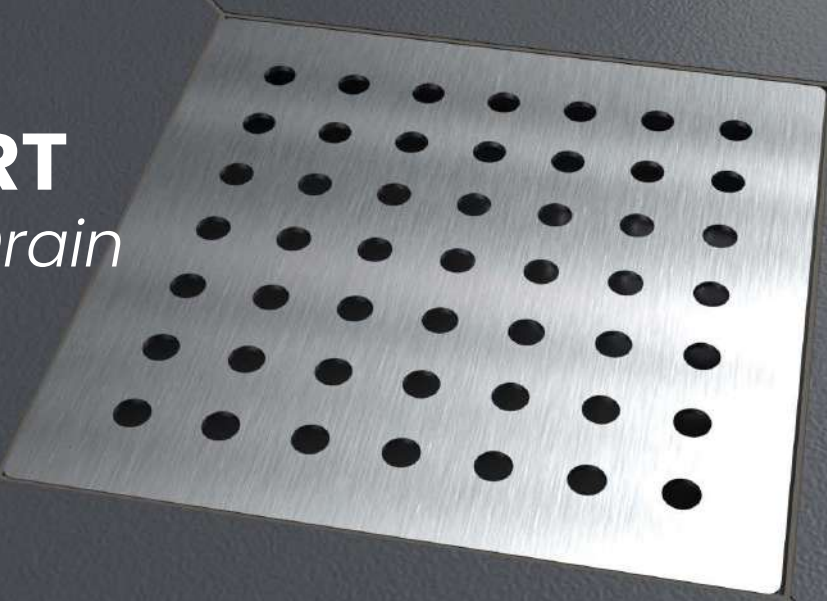


PH DESIGN

FLOOR DRAIN



# SMART Floor Drain



-   
304  
Stainless Steel
-   
Easy  
Assembling
-   
Easy to Clean
-   
Patented Gasketless  
System
-   
Double  
Drainage
-   
Odor Prevent  
System
-   
Adjustment  
According to Tile  
Height
-   
High Flow  
Capacity

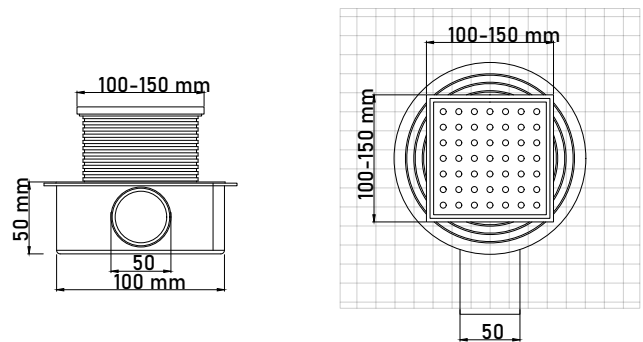
## DESIGN THAT COMBINES ELEGANCE AND FUNCTIONALITY

The Smart Floor Drain is made of 304-grade stainless steel cover, ensuring long-lasting use and durability. Additionally, the main body, made of polypropylene material, is cuttable, allowing for easy installation and customization based on your needs.

Bring innovative solutions to your interiors with the PH Design Smart Floor Drain. Enhance your spaces with its design and features, creating modern and stylish details with the Smart Floor Drain.

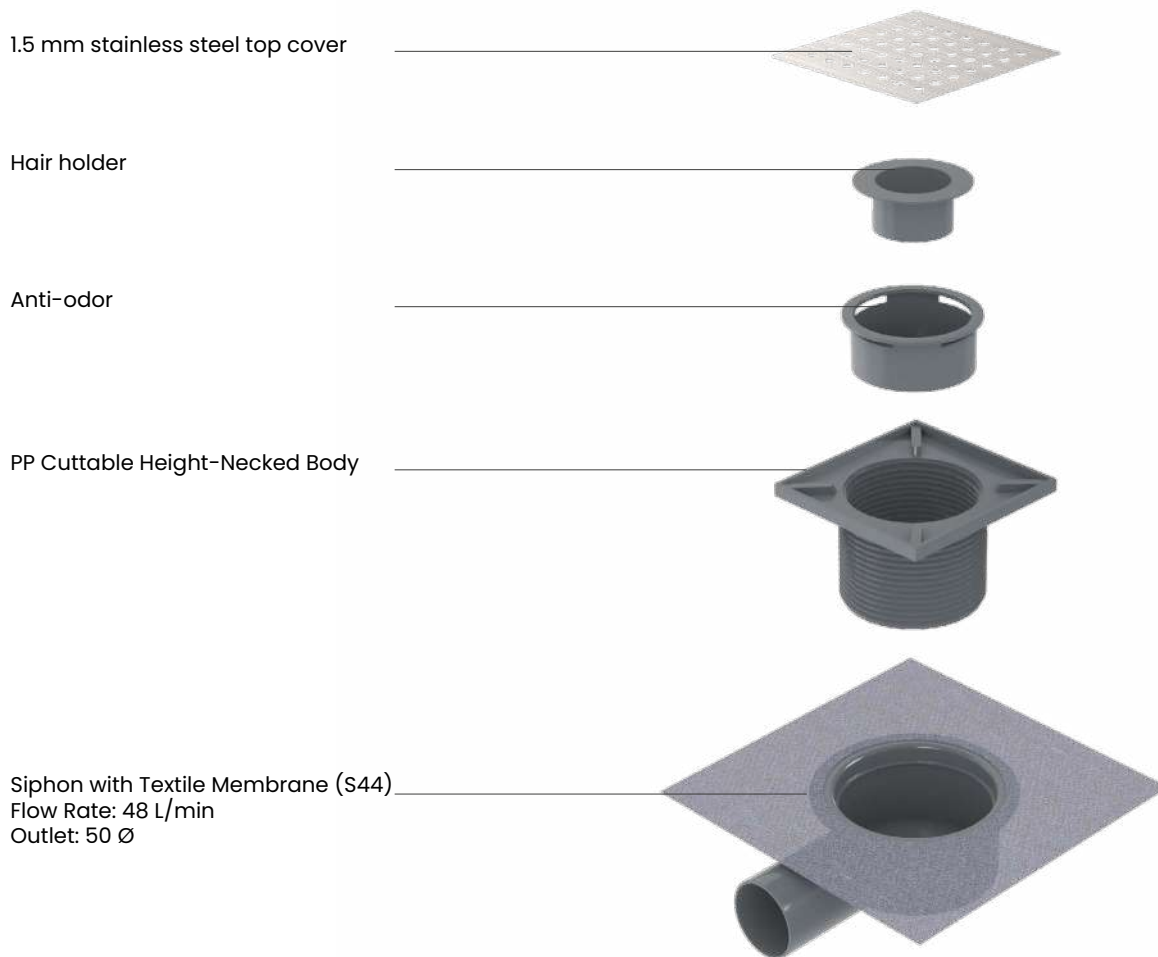


S44 Siphon System is a side outlet system designed for isolation using a textile membrane.



### Top Cover Options

-  D1  
Code : D1
-  D2  
Code : D2
-  D3  
Code : D3
-  D4  
Code : D4



Dim.	Satin Inox		Satin Gold		Satin Bronze		Satin Champagne	
10x10 cm	DS 010 01 D4 S44	30 €	DS 010 21 D4 S44	45 €	DS 010 31 D4 S44	45 €	DS 010 61 D4 S44	45 €
15x15 cm	DS 015 01 D4 S44	38 €	DS 015 21 D4 S44	53 €	DS 015 31 D4 S44	53 €	DS 015 61 D4 S44	53 €
Dim.	Inox Mirror		Gold Mirror		Bronze Mirror		Champagne Mirror	
10x10 cm	DS 010 00 D4 S44	37 €	DS 010 20 D4 S44	45 €	DS 010 30 D4 S44	45 €	DS 010 60 D4 S44	45 €
15x15 cm	DS 015 00 D4 S44	47 €	DS 015 20 D4 S44	53 €	DS 015 30 D4 S44	53 €	DS 015 60 D4 S44	53 €
Dim.	Satin Anthracite		Anthracite Mirror		Black			
10x10 cm	DS 010 41 D4 S44	45 €	DS 010 40 D4 S44	45 €	DS 010 55 D4 S44	45 €		
15x15 cm	DS 015 41 D4 S44	53 €	DS 015 40 D4 S44	53 €	DS 015 55 D4 S44	53 €		

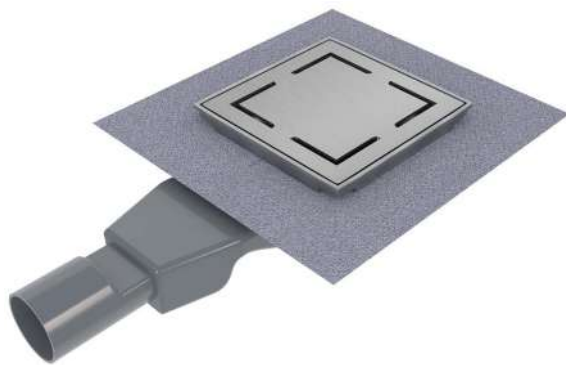
# SMART MODULA

## Floor Drain

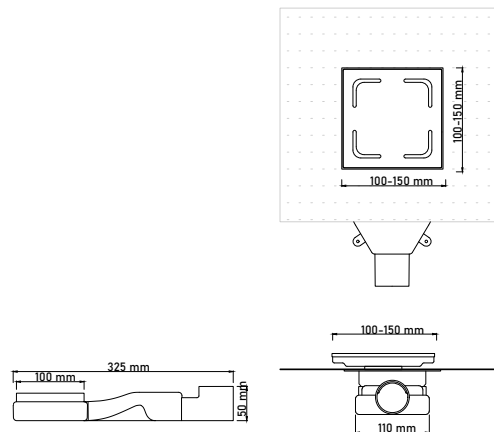


### DESIGN THAT COMBINES ELEGANCE AND FUNCTIONALITY

The Modula Floor Drain features a cover and body made from 304-grade stainless steel. Its patented gasket-free connection system guarantees 100% water-tightness.



Modula D3 S01



#### Top Cover Options



D1  
Code : D1



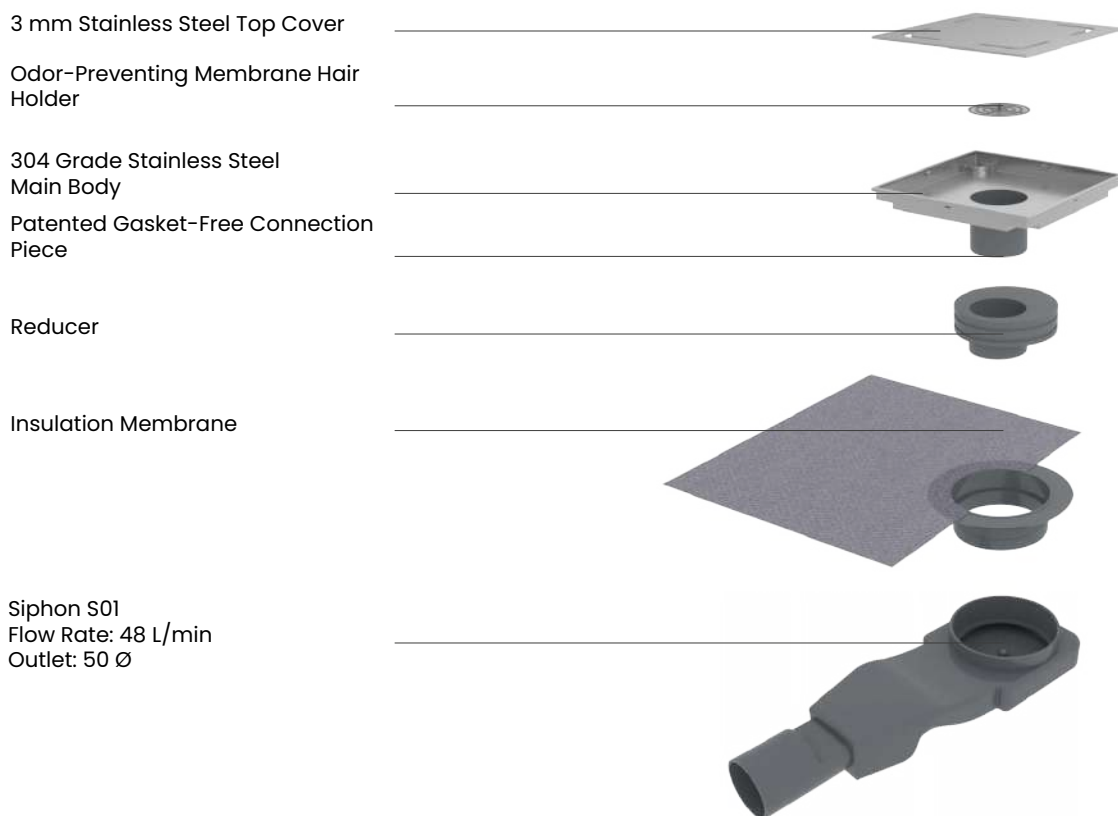
D2  
Code : D2



D3  
Code : D3



D4  
Code : D4



S01- S13- S15- S95

The floor drain system and siphon connection are made with insulation membrane and insulation flange, ensuring maximum insulation. The recessed height adjustment foot set is also provided along with the insulation kit.



S02- S03- S11

Direct Connection with Siphon  
*No Insulation Kit*



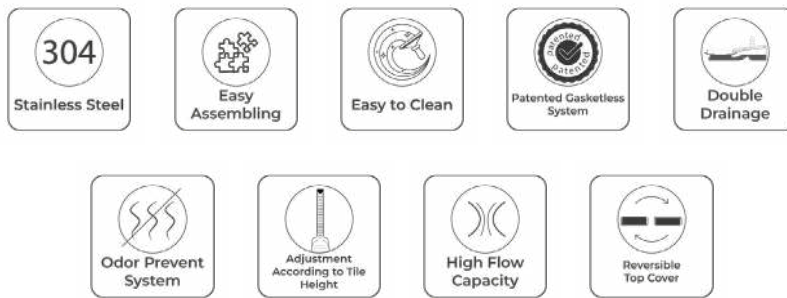
S50

Ø50 Direct Connection  
*No Insulation Kit*

Dim.	Satin Inox		Satin Gold		Satin Bronze		Satin Champagne	
10x10 cm	DM 010 01 D3 S01	65 €	DM 010 21 D3 S01	85 €	DM 010 31 D3 S01	85 €	DM 010 61 D3 S01	85 €
15x15 cm	DM 015 01 D3 S01	75 €	DM 015 21 D3 S01	95 €	DM 015 31 D3 S01	95 €	DM 015 61 D3 S01	95 €
Dim.	Inox Mirror		Gold Mirror		Bronze Mirror		Champagne Mirror	
10x10 cm	DM 010 00 D3 S01	76 €	DM 010 20 D3 S01	85 €	DM 010 30 D3 S01	85 €	DM 010 60 D3 S01	85 €
15x15 cm	DM 015 00 D3 S01	92 €	DM 015 20 D3 S01	95 €	DM 015 30 D3 S01	95 €	DM 015 60 D3 S01	95 €
Dim.	Satin Anthracite		Anthracite Mirror		Black			
10x10 cm	DM 010 41 D3 S01	85 €	DM 010 40 D3 S01	85 €	DM 010 55 D3 S01	85 €		
15x15 cm	DM 015 41 D3 S01	95 €	DM 015 40 D3 S01	95 €	DM 015 55 D3 S01	95 €		

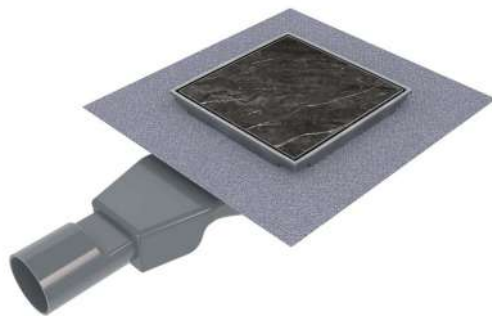
# SMART NATURA

## Floor Drain

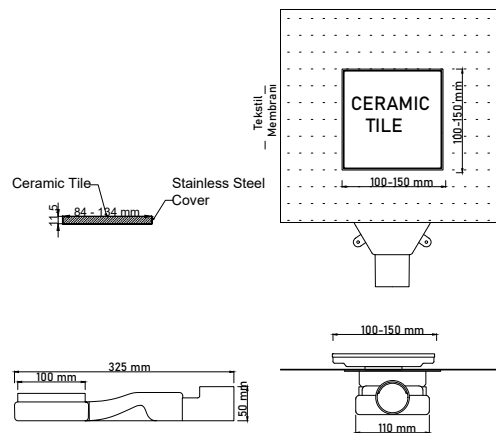


### AESTHETICS & FUNCTIONALITY COMBINED

The Natura Floor Drain features a specially designed cover system, allowing it to be used with both the flooring material appearance and the stainless steel look. It has a cover and body made from 304-grade stainless steel. Its patented gasket-free connection system guarantees 100% water-tightness.



Natura D6 S01



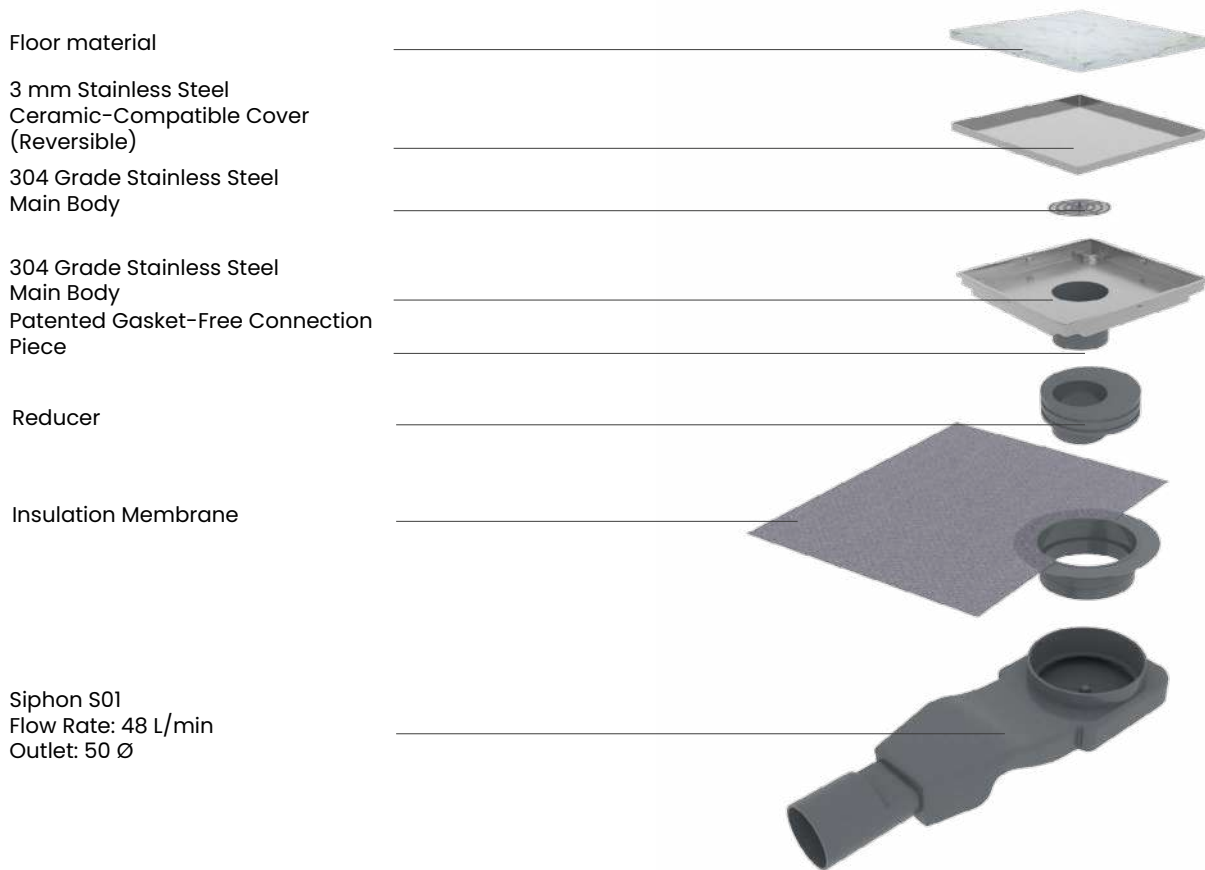
#### Top Cover Options



D5 Marble  
Code : D5



D6  
Seramic  
Code : D6



S01- S13- S15- S95

The floor drain system and siphon connection are made with insulation membrane and insulation flange, ensuring maximum insulation. The recessed height adjustment foot set is also provided along with the insulation kit.



S02- S03- S11

Direct Connection with Siphon  
*No Insulation Kit*



S50

Ø50 Direct Connection  
*No Insulation Kit*

Dim.	Satin Inox		Satin Gold		Satin Bronze		Satin Champagne	
10x10 cm	DN 010 01 D6 S01	69 €	DN 010 21 D6 S01	86 €	DN 010 31 D6 S01	86 €	DN 010 61 D6 S01	86 €
15x15 cm	DN 015 01 D6 S01	76 €	DN 015 21 D6 S01	93 €	DN 015 31 D6 S01	93 €	DN 015 61 D6 S01	93 €

Dim.	Inox Mirror		Gold Mirror		Bronze Mirror		Champagne Mirror	
10x10 cm	DN 010 00 D6 S01	86 €	DN 010 20 D6 S01	86 €	DN 010 30 D6 S01	86 €	DN 010 60 D6 S01	86 €
15x15 cm	DN 015 00 D6 S01	100 €	DN 015 20 D6 S01	93 €	DN 015 30 D6 S01	93 €	DN 015 60 D6 S01	93 €

Dim.	Satin Anthracite		Anthracite Mirror		Black	
10x10 cm	DN 010 41 D6 S01	86 €	DN 010 40 D6 S01	86 €	DN 010 55 D6 S01	86 €
15x15 cm	DN 015 41 D6 S01	93 €	DN 015 40 D6 S01	93 €	DN 015 55 D6 S01	93 €

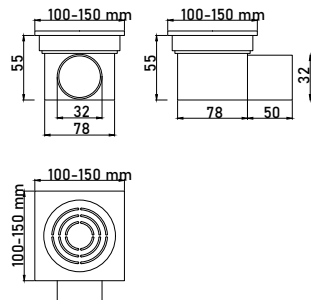
# STANDART

## Floor Drain

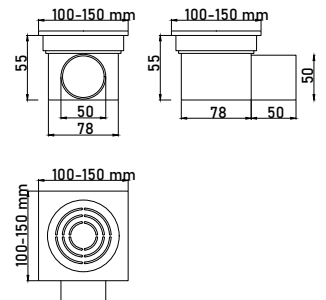


### ECONOMIC SOLUTION

The Standard Floor Drain offers affordable and functional solutions.



Standart S06 - 32Ø



Standart S12 - 50Ø

Dim.	Satin Inox		Satin Gold		Satin Bronze	
10x10 cm	PD 010 01 18 S12	16 €	PD 010 21 18 S12	39 €	PD 010 31 18 S12	39 €
Dim.	Inox Mirror		Gold Mirror		Bronze Mirror	
10x10 cm	PD 010 00 18 S12	19 €	PD 010 20 18 S12	39 €	PD 010 30 18 S12	39 €
Dim.	Black					
10x10 cm	PD 010 55 18 S12	39 €				



PH DESIGN



SMART NATURA

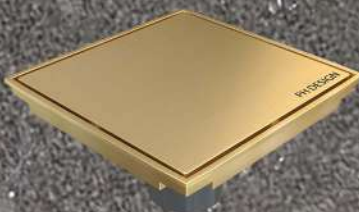
Satine Inox



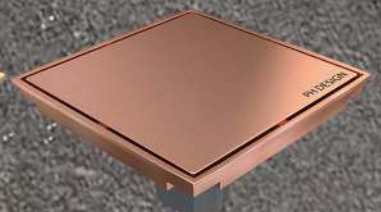
Satine Champaigne



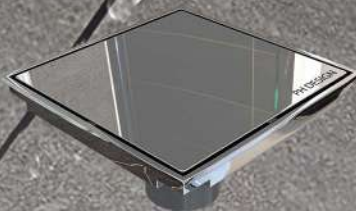
Satine Gold



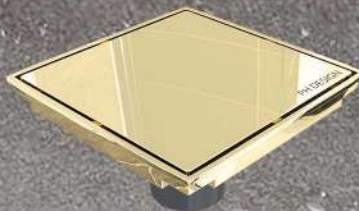
Satine Bronze



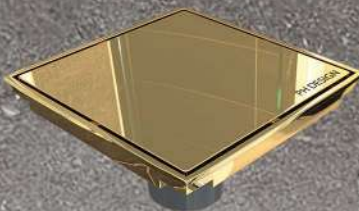
Inox Mirror



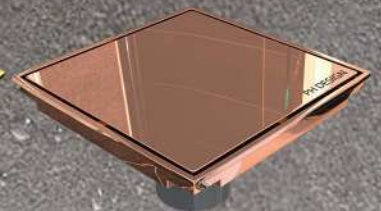
Champaigne Mirror



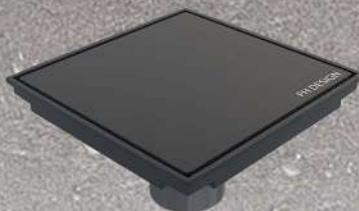
Gold Mirror



Bronze Mirror



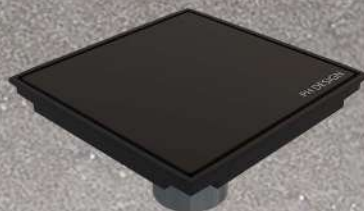
Satine Anthracite



Anthracite Mirror



Black



# Sealing Membrane

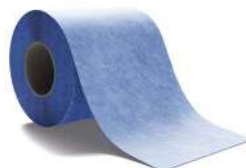
## 100 cm Sealing Membrane Roll

Lenght	Width	Product Code
5 m	100 cm	PH 2263 100 050
10 m	100 cm	PH 2263 100 100
20 m	100 cm	PH 2263 100 200
30 m	100 cm	PH 2263 100 300



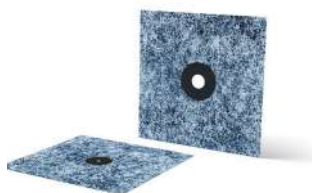
## Sealing Membrane Roll

Lenght	Width	Product Code
250 cm	20 cm	PH 2263 020 250
500 cm	20 cm	PH 2263 020 500



## Pipe Collar Sealing Membrane

Dim.	Pieces	Product Code
2.5 cm	2	PH 2263 025
12 cm	2	PH 2263 120



## Outer Corner Sealing Membrane

Pieces	Product Code
2	PH 2263 K01



## Inner Corner Sealing Membrane

Pieces	Product Code
2	PH 2263 K02



## Decoupling Membrane

Lenght	Width	Product Code
5 m	100 cm	PH 2263 D100 050
10 m	100 cm	PH 2263 D100 100
20 m	100 cm	PH 2263 D100 200
30 m	100 cm	PH 2263 D100 500



# Siphon Options

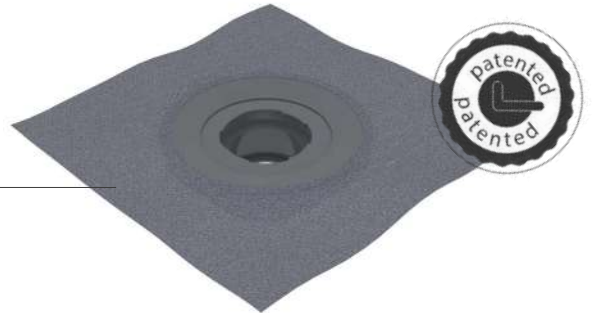
## DURABLE, FUNCTIONAL

If needed, you can choose from our siphon systems with different flow capacities and features.  
Please contact our sales team for different siphon alternatives.

### Eccentric Part

Outlet : Ø50

Feature : Three patented eccentric part ensures precise placement in drainage systems. It offers 360° mobility within a 10 cm circular frame. In systems using this eccentric part, the 5 cm center can shift in any direction by 3.3 cm.



<b>S01</b>	<b>TM.SFN.S01</b>		<b>S11</b>	<b>TM.SFN.S11</b>	
Minimum screed height : 60 mm Flow : 51 L/min Odor Free			Minimum screed height : 60 mm Flow : 51 L/min Odor Free		
<b>S02</b>	<b>TM.SFN.S02</b>		<b>S13</b>	<b>TM.SFN.S13</b>	
Minimum screed height : 60 mm Flow : 48 L/min Odor Free			Minimum screed height : 30 mm Flow : 51 L/min Odor Free		
<b>S03</b>	<b>TM.SFN.S03</b>		<b>S15</b>	<b>TM.SFN.S15</b>	
Minimum screed height : 60 mm Flow : 48 L/min Odor Free			Minimum screed height : 60 mm Flow : 51 L/min Odor Free		
<b>S04</b>	<b>TM.SFN.S04</b>		<b>S40</b>	<b>TM.SFN.S40</b>	
Minimum screed height : 65 mm Flow : 42 L/min Odor Free			Minimum screed height : 40 mm Flow : 42 L/min Odor Free		
<b>S05</b>	<b>TM.SFN.S05</b>		<b>S44</b>	<b>TM.SFN.S44</b>	
Minimum screed height : 65 mm Flow : 42 L/min Odor Free			Minimum screed height : 40 mm Flow : 42 L/min Odor Free		



# PH DESIGN






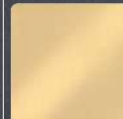




## ***Technical Profile***

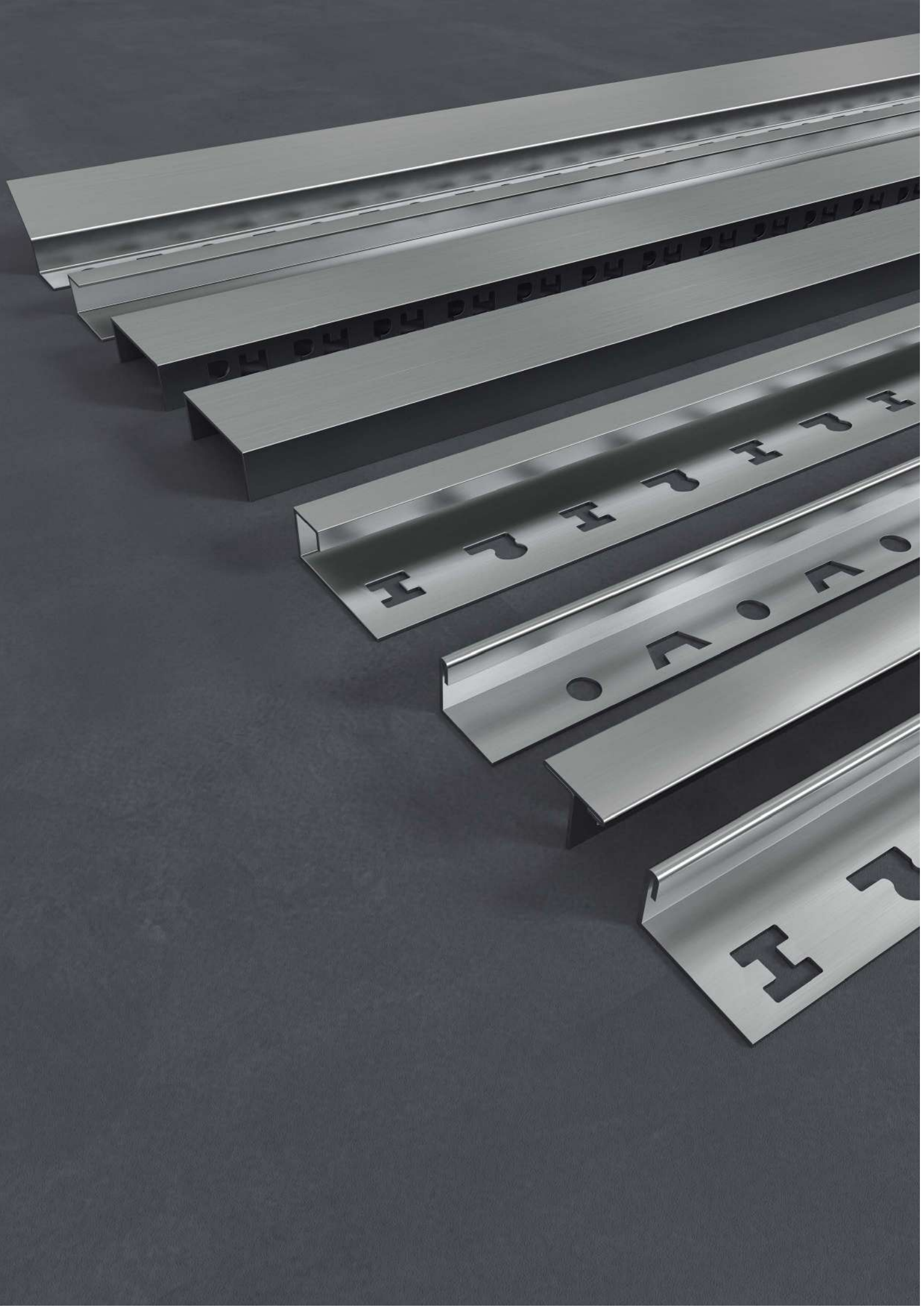
PH DESIGN aims to enhance your spaces with functionality and aesthetics through its technical profiles. Manufactured with high-quality materials and innovative designs, these profiles perfectly complement floor and wall joints.

Our technical profiles, made from 304-grade stainless steel, are designed for long-lasting use. The available varieties are carefully crafted to fit various flooring and wall coverings.

With our technical profiles, you can find a perfect balance of quality, durability, and aesthetic appeal, making your spaces truly special. Combining elegance and functionality, our technical profiles will highlight the details in your environments!

### Color Options

Satin Inox	Inox Mirror	Inox Shiny	Satine Bronze	Bronze Mirror	Satine Gold	Gold Mirror	Satine Anthracite	Anthracite Mirror	Black
									



# PROFIX M

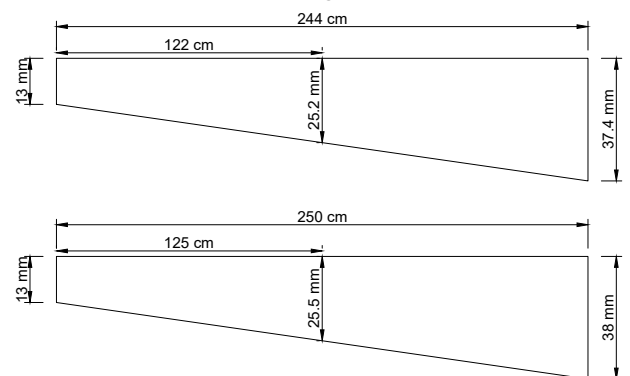
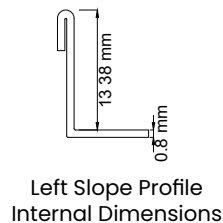
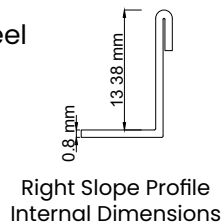
## Slope and Low Level Profile

### Product Description

Profix M stands out as a robust and durable stainless steel sloped profile. It offers a high-quality solution that adds aesthetics and sophistication to your spaces.

### Material

304 quality stainless steel  
 DIN EN ISO 9001 : 2008  
 DIN EN ISO 9001 : 2000  
 RoHS (2002/95/EC)  
 WEEE (2002/96/EC)  
 ElektroG  
 IEC 62321



### Purpose of Usage

Profix M is used to complete the inclined transitions on the floor smoothly and aesthetically. Particularly suitable for commercial and residential areas, it provides a perfect look where different flooring materials meet a curved design.

Dim.	Satin Gold		Satin Bronze		Satin Anthracite	
Left 13-31, l : 122 cm	PW133412221L	34,8 €	PW133412231L	37 €	PW133412241L	37 €
Right 13-31, l : 122 cm	PW133412221R	34,8 €	PW133412231R	37 €	PW133412241R	37 €
No sloped l : 244 cm	PW3124421	58,32 €	PW2824431	61,8 €	PW3124441	61,8 €

Dim.	Inox Mirror		Gold Mirror		Bronze Mirror		Anthracite Mirror	
Left 13-31, l : 122 cm	PW133112200L	32 €	PW133112220L	34,8 €	PW133412230L	37 €	PW133112240L	37 €
Right 13-31, l : 122 cm	PW133112200R	32 €	PW133312220R	34,8 €	PW133412230R	37 €	PW133312240R	37 €
No sloped, l : 122 cm	PW3124400	53,5 €	PW3124420	58,32 €	PW3124430	61,8 €	PW3124440	61,8 €

Dim.	Satin Inox		Inox Shiny		Black	
Left 13-31, l : 125 cm	PW133112501L	29 €	PW133112503L	29 €	PW133112555L	34,8 €
Right 13-31, l : 125 cm	PW133112501R	29 €	PW133112503R	29 €	PW133112555R	34,8 €
No sloped l : 250 cm	PW3125001	48,6 €	PW3125003	48,6 €	PW3125055	58,32 €



PH DESIGN

FLOOR DRAIN



Profix M  
Slope Profile

# PROFIX Q

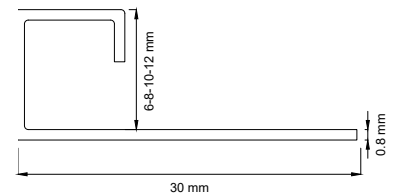
## Corner Protection Profile

### Product Description

Profix Q is a 304-grade stainless steel corner protection profile used as an elegant and stylish solution for interior spaces. Providing excellent aesthetics, it safeguards corners against impacts and collisions, ensuring long-lasting use.

### Material

304 quality stainless steel  
 DIN EN ISO 9001 : 2008  
 DIN EN ISO 9001 : 2000  
 RoHS (2002/95/EC)  
 WEEE (2002/96/EC)  
 ElektroG  
 IEC 62321



### Purpose of Usage

Profix Q is specifically designed as an ideal corner protection profile to safeguard walls and corners from impacts, friction, and collisions. Particularly suitable for interior spaces with heavy furniture, equipment, and pedestrian traffic, it enhances the resilience of corners and enhances the overall aesthetic appearance of the area.

Dim.	Satin Inox		Satin Gold		Satin Bronze		Satin Anthracite	
6 mm	PQ0625001	28,6 €	PQ0624421	34,6 €	PQ0624431	37 €	PQ0624441	37 €
8 mm	PQ0825001	28,8 €	PQ0824421	34,8 €	PQ0824431	37,2 €	PQ0824441	37,2 €
10 mm	PQ1025001	29 €	PQ1024421	35 €	PQ1024431	37,4 €	PQ1024441	37,4 €
12 mm	PQ1225001	29,2 €	PQ1224421	35,2 €	PQ1224431	37,6 €	PQ1224441	37,6 €

Dim.	Inox Mirror		Gold Mirror		Bronze Mirror		Anthracite Mirror	
6 mm	PQ0624400	30,6 €	PQ0624420	34,6 €	PQ0624430	37 €	PQ0624440	37 €
8 mm	PQ0824400	30,8 €	PQ0824420	34,8 €	PQ0824430	37,2 €	PQ0824440	37,2 €
10 mm	PQ1024400	31 €	PQ1024420	35 €	PQ1024430	37,4 €	PQ1024440	37,4 €
12 mm	PQ1224400	31,2 €	PQ1224420	35,2 €	PQ1224430	37,6 €	PQ1224440	37,6 €

Dim.	Inox Shiny		Black	
6 mm	PQ0625003	28,6 €	PQ0625055	34,6 €
8 mm	PQ0825003	28,8 €	PQ0825055	34,8 €
10 mm	PQ1025003	29 €	PQ1025055	35 €
12 mm	PQ1225003	29,2 €	PQ1225055	35,2 €

# PROFIX QE

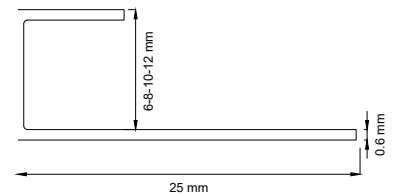
## Corner Protection Profile

### Product Description

Profix QE is a 304-grade stainless steel corner protection profile used as an elegant and stylish solution for interior spaces. Providing excellent aesthetics, it safeguards corners against impacts and collisions, ensuring long-lasting use.

### Material

304 quality stainless steel  
 DIN EN ISO 9001 : 2008  
 DIN EN ISO 9001 : 2000  
 RoHS (2002/95/EC)  
 WEEE (2002/96/EC)  
 ElektroG  
 IEC 62321



### Purpose of Usage

Profix QE is specifically designed as an ideal corner protection profile to safeguard walls and corners from impacts, friction, and collisions. Particularly suitable for interior spaces with heavy furniture, equipment, and pedestrian traffic, it enhances the resilience of corners and enhances the overall aesthetic appearance of the area.

Dim.	Satin Inox		Satin Gold		Satin Bronze		Satin Anthracite	
6 mm	TQ0625001	18,2 €	TQ0624421	23,8 €	TQ0624431	25 €	TQ0624441	25 €
8 mm	TQ0825001	18,4 €	TQ0824421	24 €	TQ0824431	25,2 €	TQ0824441	25,2 €
10 mm	TQ1025001	18,6 €	TQ1024421	24,2 €	TQ1024431	25,4 €	TQ1024441	25,4 €
12 mm	TQ1225001	18,8 €	TQ1224421	24,4 €	TQ1224431	25,6 €	TQ1224441	25,6 €

Dim.	Inox Mirror		Gold Mirror		Bronze Mirror		Anthracite Mirror	
6 mm	TQ0624400	19,8 €	TQ0624420	23,8 €	TQ0624430	25 €	TQ0624440	25 €
8 mm	TQ0824400	20 €	TQ0824420	24 €	TQ0824430	25,2 €	TQ0824440	25,2 €
10 mm	TQ1024400	20,2 €	TQ1024420	24,2 €	TQ1024430	25,4 €	TQ1024440	25,4 €
12 mm	TQ1224400	20,4 €	TQ1224420	24,4 €	TQ1224430	25,6 €	TQ1224440	25,6 €

Dim.	Inox Shiny		Black	
6 mm	TQ0625003	18,2 €	TQ0625055	23,8 €
8 mm	TQ0825003	18,4 €	TQ0825055	24 €
10 mm	TQ1025003	18,6 €	TQ1025055	24,2 €
12 mm	TQ1225003	18,8 €	TQ1225055	24,4 €

# PROFIX L

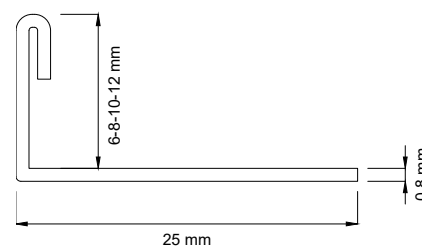
## Corner Finish Profile

### Product Description

Profix L is designed as a stainless steel corner finish profile that provides a seamless floor and wall covering material junction in L-shaped corners.

### Material

304 quality stainless steel  
 DIN EN ISO 9001 : 2008  
 DIN EN ISO 9001 : 2000  
 RoHS (2002/95/EC)  
 WEEE (2002/96/EC)  
 ElektroG  
 IEC 62321



### Purpose of Usage

Profix L is a stainless steel corner finish profile designed to elegantly complete L-shaped corners in interior spaces. It creates a seamless junction between floor and wall coverings, adding a touch of sophistication and tidiness to the surroundings. With its sturdy construction and durability, it ensures long-lasting use and flawlessly complements the flooring details in any space.

Dim.	Satin Inox		Satin Gold		Satin Bronze		Satin Anthracite	
6 mm	PL0625001	25,4 €	PL0624421	30,6 €	PL0624431	32,6 €	PL0624441	32,6 €
8 mm	PL0825001	25,6 €	PL0824421	30,8 €	PL0824431	32,8 €	PL0824441	32,8 €
10 mm	PL1025001	25,8 €	PL1024421	31 €	PL1024431	33 €	PL1024441	33 €
12 mm	PL1225001	26 €	PL1224421	31,2 €	PL1224431	33,2 €	PL1224441	33,2 €

Dim.	Inox Mirror		Gold Mirror		Bronze Mirror		Anthracite Mirror	
6 mm	PL0624400	26,8 €	PL0624420	30,6 €	PL0624430	32,6 €	PL0624440	32,6 €
8 mm	PL0824400	27 €	PL0824420	30,8 €	PL0824430	32,8 €	PL0824440	32,8 €
10 mm	PL1024400	27,2 €	PL1024420	31 €	PL1024430	33 €	PL1024440	33 €
12 mm	PL1224400	27,4 €	PL1224420	31,2 €	PL1224430	33,2 €	PL1224440	33,2 €

Dim.	Inox Shiny		Black	
6 mm	PL0625003	25,4 €	PL0625055	30,6 €
8 mm	PL0825003	25,6 €	PL0825055	30,8 €
10 mm	PL1025003	25,8 €	PL1025055	31 €
12 mm	PL1225003	26 €	PL1225055	31,2 €

# PROFIX LE

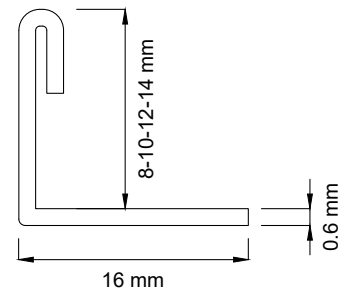
## Corner Finish Profile

### Product Description

Profix LE is designed as a stainless steel corner finish profile that provides a seamless floor and wall covering material junction in LE-shaped corners.

### Material

304 quality stainless steel  
 DIN EN ISO 9001 : 2008  
 DIN EN ISO 9001 : 2000  
 RoHS (2002/95/EC)  
 WEEE (2002/96/EC)  
 ElektroG  
 IEC 62321



### Purpose of Usage

Profix LE is a stainless steel corner finish profile designed to elegantly complete L-shaped corners in interior spaces. It creates a seamless junction between floor and wall coverings, adding a touch of sophistication and tidiness to the surroundings. With its sturdy construction and durability, it ensures long-lasting use and flawlessly complements the flooring details in any space.

Dim.	Satin Inox		Satin Gold		Satin Bronze		Satin Anthracite	
6 mm	TL0625001	16,2 €	TL0624421	21 €	TL0624431	21,8 €	TL0624441	21,8 €
8 mm	TL0825001	16,4 €	TL0824421	21,2 €	TL0824431	22 €	TL0824441	22 €
10 mm	TL1025001	16,6 €	TL1024421	21,4 €	TL1024431	22,2 €	TL1024441	22,2 €
12 mm	TL1225001	16,8 €	TL1224421	21,6 €	TL1224431	22,4 €	TL1224441	22,4 €

Dim.	Inox Mirror		Gold Mirror		Bronze Mirror		Anthracite Mirror	
6 mm	TL0624400	17,4 €	TL0624420	21 €	TL0624430	21,8 €	TL0624440	21,8 €
8 mm	TL0824400	17,6 €	TL0824420	21,2 €	TL0824430	22 €	TL0824440	22 €
10 mm	TL1024400	17,8 €	TL1024420	21,4 €	TL1024430	22,2 €	TL1024440	22,2 €
12 mm	TL1224400	18 €	TL1224420	21,6 €	TL1224430	22,4 €	TL1224440	22,4 €

Dim.	Inox Shiny		Black	
6 mm	TL0625003	16,2 €	TL0625055	21 €
8 mm	TL0825003	16,4 €	TL0825055	21,2 €
10 mm	TL1025003	16,6 €	TL1025055	21,4 €
12 mm	TL1225003	16,8 €	TL1225055	21,6 €

# PROFIX UE

## Internal Corner Profile

### Product Description

Profix UE is a stainless steel internal corner profile used to create a decorative and clean joint detail in interior corners

### Material

304 quality stainless steel

DIN EN ISO 9001 : 2008

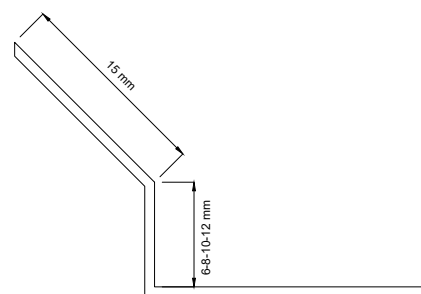
DIN EN ISO 9001 : 2000

RoHS (2002/95/EC)

WEEE (2002/96/EC)

ElektroG

IEC 62321



### Purpose of Usage

Profix UE is a stainless steel internal corner profile that provides a decorative and seamless joint detail for interior corners, ensuring an elegant finish in your spaces.

Dim.	Satin Inox		Satin Gold		Satin Bronze		Satin Anthracite	
6 mm	TU0625001	18,2 €	TU0624421	23,8 €	TU0624431	25 €	TU0624441	25 €
8 mm	TU0825001	18,4 €	TU0824421	24 €	TU0824431	25,2 €	TU0824441	25,2 €
10 mm	TU1025001	18,6 €	TU1024421	24,2 €	TU1024431	25,4 €	TU1024441	25,4 €
12 mm	TU1225001	18,8 €	TU1224421	24,4 €	TU1224431	25,6 €	TU1224441	25,6 €

Dim.	Inox Mirror		Gold Mirror		Bronze Mirror		Anthracite Mirror	
6 mm	TU0624400	19,8 €	TU0624420	23,8 €	TU0624430	25 €	TU0624440	25 €
8 mm	TU0824400	20 €	TU0824420	24 €	TU0824430	25,2 €	TU0824440	25,2 €
10 mm	TU1024400	20,2 €	TU1024420	24,2 €	TU1024430	25,4 €	TU1024440	25,4 €
12 mm	TU1224400	20,4 €	TU1224420	24,4 €	TU1224430	25,6 €	TU1224440	25,6 €

Dim.	Inox Shiny		Black	
6 mm	TU0625003	18,2 €	TU0625055	23,8 €
8 mm	TU0825003	18,4 €	TU0825055	24 €
10 mm	TU1025003	18,6 €	TU1025055	24,2 €
12 mm	TU1225003	18,8 €	TU1225055	24,4 €



# PROFIX T

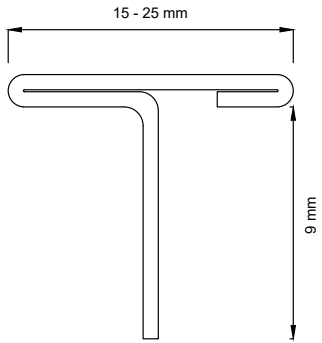
## Floor Transition Profile

**Product Description**

Profix T is a floor transition profile designed to seamlessly join two flooring materials with the same or different thicknesses, ensuring a smooth and aesthetically pleasing transition.

**Material**

- 304 quality stainless steel
- DIN EN ISO 9001 : 2008
- DIN EN ISO 9001 : 2000
- RoHS (2002/95/EC)
- WEEE (2002/96/EC)
- ElektroG
- IEC 62321



**Purpose of Usage**

Profix T is designed as a floor transition profile to provide a seamless transition between the same or different flooring materials without any level difference.

Dim.	Satin Inox		Satin Gold		Satin Bronze		Satin Anthracite	
15 mm	PT1525001	37,6 €	PT1524421	49 €	PT1524431	52 €	PT1524441	52 €
25 mm	PT2525001	46,8 €	PT2524421	61 €	PT2524431	65 €	PT2524441	65 €
Dim.	Inox Mirror		Gold Mirror		Bronze Mirror		Anthracite Mirror	
15 mm	PT1524400	40,6 €	PT1524420	49 €	PT1524430	52 €	PT1524440	52 €
25 mm	PT2524400	50,5 €	PT2524420	61 €	PT2524430	65 €	PT2524440	65 €
Dim.	Inox Shiny		Black					
15 mm	PT1525003	37,6 €	PT1525055	49 €				
25 mm	PT2525003	46,8 €	PT2525055	61 €				



# PROFIX R

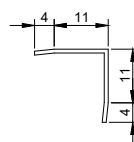
## External Corner Profile

### Product Description

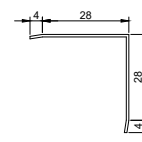
Profix R is a stainless steel external corner profile designed to protect and enhance the appearance of external corners, providing a durable and aesthetically pleasing finish for your spaces.

### Material

304 quality stainless steel  
 DIN EN ISO 9001 : 2008  
 DIN EN ISO 9001 : 2000  
 RoHS (2002/95/EC)  
 WEEE (2002/96/EC)  
 ElektroG  
 IEC 62321



Profix R - 15mm



Profix R - 32mm

### Purpose of Usage

Profix R is an external corner profile made of stainless steel, designed to offer protection and a clean, professional finish for external corners, ensuring both durability and elegance in various architectural applications.

Dim.	Satin Inox		Satin Gold		Satin Bronze		Satin Anthracite	
15 mm	PR1525001	19,6 €	PR1524421	25,5 €	PR1524431	26,6 €	PR1524441	26,6 €
32 mm	PR3225001	34 €	PR3224421	44,2 €	PR3224431	46,3 €	PR3224441	46,3 €

Dim.	Inox Mirror		Gold Mirror		Bronze Mirror		Anthracite Mirror	
15 mm	PR1524400	21,4 €	PR1524420	25,5 €	PR1524430	26,6 €	PR1524440	26,6 €
32 mm	PR3224400	37 €	PR3224420	44,2 €	PR3224430	46,3 €	PR3224440	46,3 €

Dim.	Inox Shiny		Black	
15 mm	PR1525003	19,6 €	PR1525055	25,5 €
32 mm	PR3225003	34 €	PR3225055	44,2 €

# PROFIX V

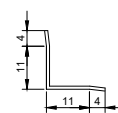
## Built-in Inner Corner Profile

### Product Description

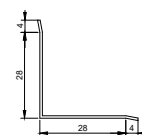
Profix V is a stainless steel internal corner profile designed to protect and provide a sleek finish for interior corners, offering both durability and an elegant aesthetic for your spaces.

### Material

304 quality stainless steel  
 DIN EN ISO 9001 : 2008  
 DIN EN ISO 9001 : 2000  
 RoHS (2002/95/EC)  
 WEEE (2002/96/EC)  
 ElektroG  
 IEC 62321



Profix V - 15mm



Profix V - 32mm

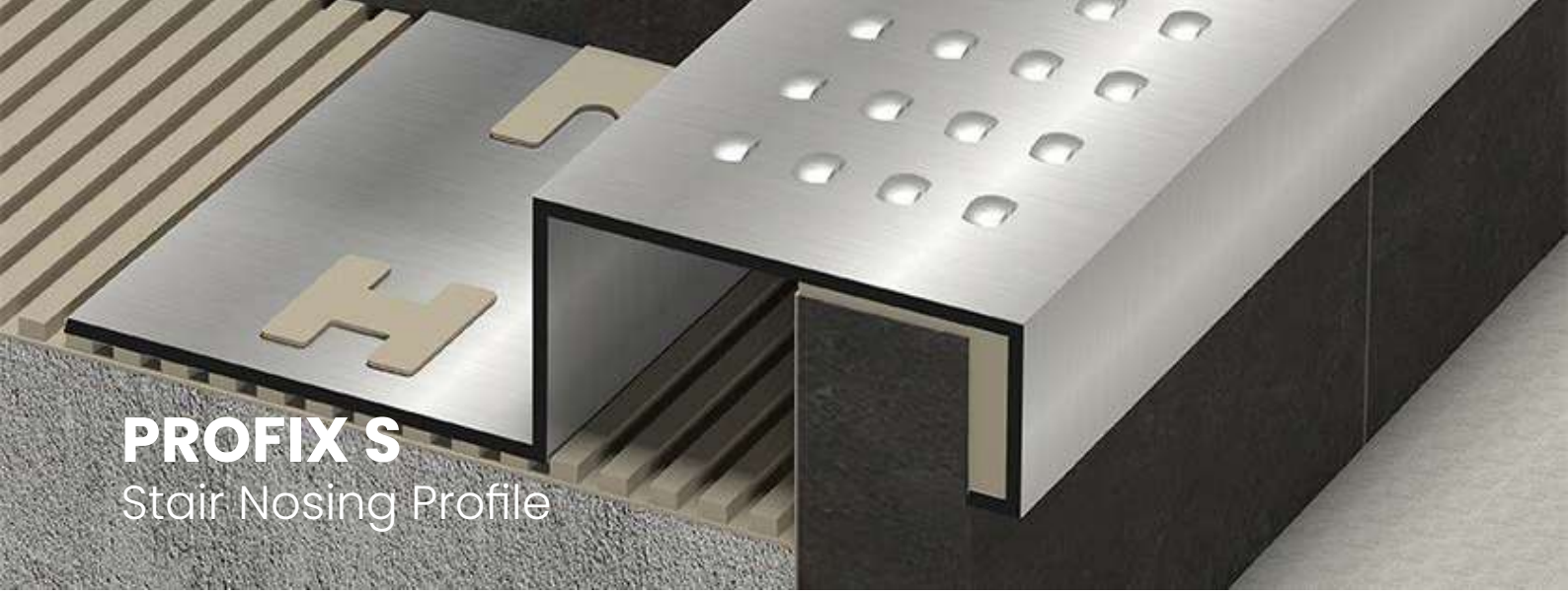
### Purpose of Usage

Profix V is an internal corner profile made of stainless steel, providing protection and a refined appearance for interior corners, ensuring a seamless and sophisticated finish in a wide range of interior applications.

Dim.	Satin Inox		Satin Gold		Satin Bronze		Satin Anthracite	
15 mm	PV1525001	19,6 €	PV1524421	25,5 €	PV1524431	26,6 €	PV1524441	26,6 €
32 mm	PV3225001	34 €	PV3224421	44,2 €	PV3224431	46,3 €	PV3224441	46,3 €

Dim.	Inox Mirror		Gold Mirror		Bronze Mirror		Anthracite Mirror	
15 mm	PV1524400	21,4 €	PV1524420	25,5 €	PV1524430	26,6 €	PV1524440	26,6 €
32 mm	PV3224400	37 €	PV3224420	44,2 €	PV3224430	46,3 €	PV3224440	46,3 €

Dim.	Inox Shiny		Black	
15 mm	PV1525003	19,6 €	PV1525055	25,5 €
32 mm	PV3225003	34 €	PV3225055	44,2 €



# PROFIX S

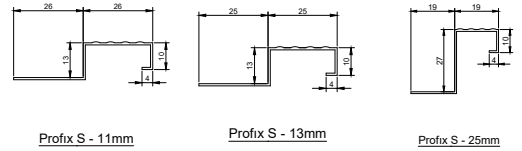
## Stair Nosing Profile

### Product Description

Profix S is a stainless steel stair nosing profile designed to be applied to the edges of stair treads, offering enhanced protection and a refined, non-slip finish for safe and durable stair edges.

### Material

304 quality stainless steel  
 DIN EN ISO 9001 : 2008  
 DIN EN ISO 9001 : 2000  
 RoHS (2002/95/EC)  
 WEEE (2002/96/EC)  
 ElektroG  
 IEC 62321



### Purpose of Usage

Profix S is a stair nosing profile made of stainless steel, designed to provide protection and improve the safety of stair edges, ensuring a long-lasting and stylish solution for both residential and commercial stairways.

Dim.	Satin Inox		Inox Shiny	
11 mm	PS1125001	45 €	PS1125003	45 €
13 mm	PS1325001	48 €	PS1325003	48 €
25 mm	PS2525001	62 €	PS2525003	62 €

# PROFIX 45

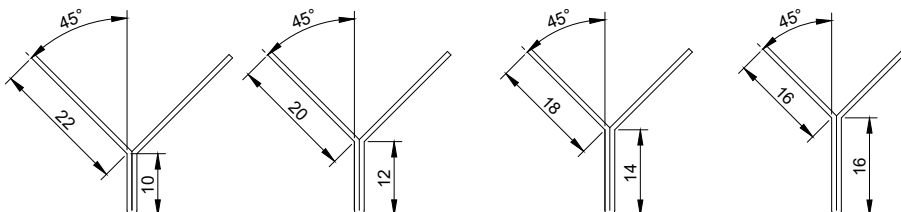
## Corner Protection Profile

### Product Description

Profix 45 is a stainless steel 45-degree corner protection profile, designed to provide a strong, durable, and aesthetically pleasing solution for protecting and finishing angled corners in various interior applications.

### Material

304 quality stainless steel  
 DIN EN ISO 9001 : 2008  
 DIN EN ISO 9001 : 2000  
 RoHS (2002/95/EC)  
 WEEE (2002/96/EC)  
 ElektroG  
 IEC 62321



### Purpose of Usage

Profix 45 is a 45-degree corner protection profile made of stainless steel, intended to safeguard the corners of walls or structures, offering a seamless and elegant finish while ensuring durability and protection in high-traffic areas.

Dim.	Satin Inox		Satin Gold		Satin Bronze		Satin Anthracite	
6 mm	PB450625001	37,8 €	PB450624421	49,8 €	PB450624431	51,8 €	PB450624441	51,8 €
8 mm	PB450825001	38 €	PB450824421	50 €	PB450824431	52 €	PB450824441	52 €
10 mm	PB451025001	38,2 €	PB451024421	50,2 €	PB451024431	52,2 €	PB451024441	52,2 €
12 mm	PB451225001	38,4 €	PB451224421	50,4 €	PB451224431	52,4 €	PB451224441	52,4 €

Dim.	Inox Mirror		Gold Mirror		Bronze Mirror		Anthracite Mirror	
6 mm	PB450624400	41,8 €	PB450624420	49,8 €	PB450624430	51,8 €	PB450624440	51,8 €
8 mm	PB450824400	42 €	PB450824420	50 €	PB450824430	52 €	PB450824440	52 €
10 mm	PB451024400	42,2 €	PB451024420	50,2 €	PB451024430	52,2 €	PB451024440	52,2 €
12 mm	PB451224400	42,6 €	PB451224420	50,4 €	PB451224430	52,4 €	PB451224440	52,4 €

Dim.	Inox Shiny		Black	
6 mm	PB450625003	37,8 €	PB450625055	49,8 €
8 mm	PB450825003	38 €	PB450825055	50 €
10 mm	PB451025003	38,2 €	PB451025055	50,2 €
12 mm	PB451225003	38,4 €	PB451225055	50,4 €

# PROFIX Linear

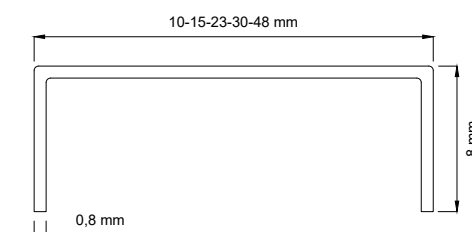
## Decorative Border

### Product Description

Profix Linear is an elegant and stylish border profile made of stainless steel. It adds a modern touch to your spaces, completing floor and wall junctions with a clean and aesthetic finish.

### Material

304 quality stainless steel  
 DIN EN ISO 9001 : 2008  
 DIN EN ISO 9001 : 2000  
 RoHS (2002/95/EC)  
 WEEE (2002/96/EC)  
 ElektroG  
 IEC 62321



### Purpose of Usage

Profix Linear is used to aesthetically and neatly complete the junctions between floor and wall coverings. It is an ideal choice for interior spaces, providing a sophisticated accent to highlight the transitions between flooring and walls

Dim.	Satin Inox		Satin Gold		Satin Bronze		Satin Anthracite	
10 mm	PBI025001	21 €	PBI024421	26,2 €	PBI024431	27,8 €	PBI024441	27,8 €
15 mm	PBI525001	22 €	PBI524421	27,2 €	PBI524431	28,8 €	PBI524441	28,8 €
23 mm	PB2325001	26 €	PB2324421	31,6 €	PB2324431	33,6 €	PB2324441	33,6 €
48 mm	PB4825001	35,6 €	PB4824421	42,8 €	PB4824431	45,6 €	PB4824441	45,6 €

Dim.	Inox Mirror		Gold Mirror		Bronze Mirror		Anthracite Mirror	
10 mm	PBI024400	22,6 €	PBI024420	26,2 €	PBI024430	27,8 €	PBI024440	27,8 €
15 mm	PBI524400	23,6 €	PBI524420	27,2 €	PBI524430	28,8 €	PBI524440	28,8 €
23 mm	PB2324400	27,6 €	PB2324420	31,6 €	PB2324430	33,6 €	PB2324440	33,6 €
48 mm	PB4824400	38,6 €	PB4824420	42,8 €	PB4824430	45,6 €	PB4824440	45,6 €

Dim.	Inox Shiny		Black	
10 mm	PBI025003	21 €	PBI025055	26,2 €
15 mm	PBI525003	22 €	PBI525055	27,2 €
23 mm	PB2325003	26 €	PB2325055	31,6 €
48 mm	PB4825003	35,6 €	PB4825055	42,8 €

# PROFIX Linear E

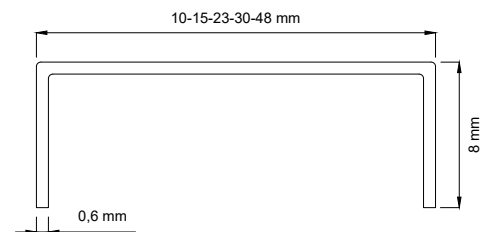
## Decorative Border

### Product Description

Profix Linear E is an elegant and stylish border profile made of stainless steel. It adds a modern touch to your spaces, completing floor and wall junctions with a clean and aesthetic finish.

### Material

304 quality stainless steel  
 DIN EN ISO 9001 : 2008  
 DIN EN ISO 9001 : 2000  
 RoHS (2002/95/EC)  
 WEEE (2002/96/EC)  
 ElektroG  
 IEC 62321



### Purpose of Usage

Profix Linear E is used to aesthetically and neatly complete the junctions between floor and wall coverings. It is an ideal choice for interior spaces, providing a sophisticated accent to highlight the transitions between flooring and walls.

Dim.	Satin Inox		Satin Gold		Satin Bronze		Satin Anthracite	
10 mm	KB1025001	11,8 €	KB1024421	16,2 €	KB1024431	17 €	KB1024441	17 €
15 mm	KB1525001	12,8 €	KB1524421	17,2 €	KB1524431	18 €	KB1524441	18 €
23 mm	KB2325001	15,2 €	KB2324421	20 €	KB2324431	21,2 €	KB2324441	21,2 €
48 mm	KB4825001	23,6 €	KB4824421	29,6 €	KB4824431	31,6 €	KB4824441	31,6 €

Dim.	Inox Mirror		Gold Mirror		Bronze Mirror		Anthracite Mirror	
10 mm	KB1024400	12,6 €	KB1024420	16,2 €	KB1024430	17 €	KB1024440	17 €
15 mm	KB1524400	13,6 €	KB1524420	17,2 €	KB1524430	18 €	KB1524440	18 €
23 mm	KB2324400	16,4 €	KB2324420	20 €	KB2324430	21,2 €	KB2324440	21,2 €
48 mm	KB4824400	25,2 €	KB4824420	29,6 €	KB4824430	31,6 €	KB4824440	31,6 €

Dim.	Inox Shiny		Black	
10 mm	KB1025003	11,8 €	KB1025055	16,2 €
15 mm	KB1525003	12,8 €	KB1525055	17,2 €
23 mm	KB2325003	15,2 €	KB2325055	20 €
48 mm	KB4825003	23,6 €	KB4825055	29,6 €



# PH DESIGN

Shower Channel | Floor Drain | Technical & Decorative Profile

---

PH DİZAYN YAPI ÜRÜNLERİ SAN. ve TİC. LTD. ŞTİ.

Ferhatpaşa Mahallesi 19. Sokak No:5-11 Ataşehir, İstanbul/TURKEY

T: +90 216 388 78 80 | F: +90 216 388 78 14

info@phdizayn.com | www.phdizayn.com